

SB7560S 75A SCRs

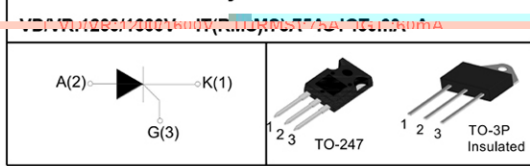
FEATURES

- High thermal cycling performance
- High voltage capacity
- Very high current surge capability

APPLICATIONS

- Line rectifying 50/60 Hz
- Softstart AC motor control
- DC Motor control
- Power converter
- AC power control
- Lighting and temperature control

Parameters Summary



ABSOLUTE MAXIMUM RATINGS

Parameter	Symbol	Value	Unit
Storage junction temperature range	T _{stg}	-40~150	°C
Operating junction temperature range	T _{op}	-40~125	°C
Repetitive peak on-state voltage (T=25°C)	V _{DRM}	1200/1000/1000	V
Repetitive peak reverse voltage (T=25°C)	V _{RRM}	1200/1000/1000	V
Non repetitive surge peak Off-state voltage	V _{DSM}	V _{RRM} +100	V
Non repetitive peak reverse voltage	V _{RSM}	V _{RRM} +100	V
RMS on-state current (T=100°C)	I _{TRMS}	75	A
Non repetitive surge peak on-state current	I _{TSM}	700	A
I ² t value for fusing (tp=10ms)	I ² t	2450	A ² s
Critical rate of rise of on-state current (I=2×IGT, tr ≤ 100 ns)	di/dt	150	A/μs
Peak gate current	I _{GM}	5	A
Average gate power dissipation	P _{G(AV)}	2	W

Thermal Resistances

Symbol	Parameter	Value	Unit
Rth(j-c)	Junction to case (DC)	TO-3P	°C/W
		TO-247	

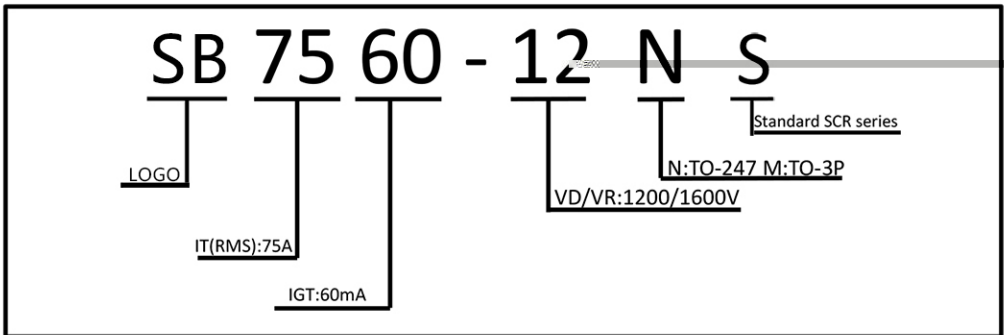
Electrical Characteristics (Unless otherwise specified)

Symbol	Test Condition	Value
I_{GT}	$V_{GT} = 12V, R = 10\Omega$	100mA
V_{GT}		12V
V_{DRM}	$V_D = V_{DRM}, T_i = 125^\circ C, R = 1K\Omega$	100V
I_L	$I_G = 1.2I_{GT}, I_T = 30mA$	100mA
dV/dt	$V_G = 12V, Rate\ of\ rise = 10V/\mu s, I_T = 10mA$	10V/ μs

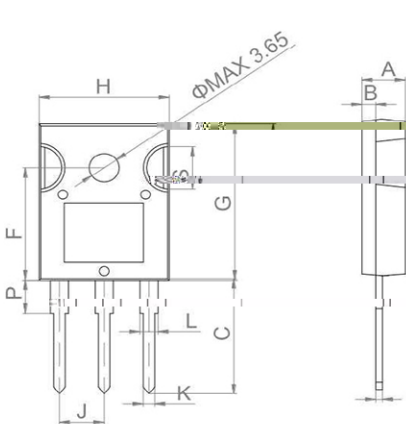
Static Characteristics

Symbol	Parameter	Value
V_{TM}	$I_{TM} = 140A, t_p = 380\mu s, T_i = 25^\circ C$	100V
I_{DKM}	$V_G = 12V, V_D = 100V$	100A
I_{RRM}	$T_i = 125^\circ C$	100A

Ordering Information Scheme

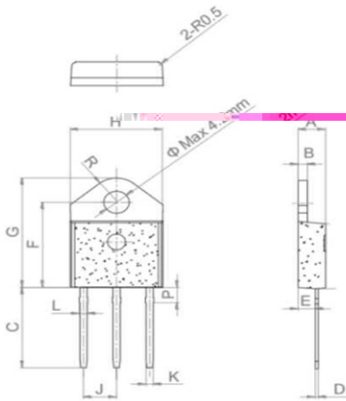


TO-247 Package Mechanical Data



Ref.	Dimensions		
	Min.	Millimeters	Inches
A	4.9	5.4	0.193
B	1.6	2.0	0.063
C	14.35	15.4	0.565
D	0.5	0.8	0.020
F	14.4	15.1	0.567
G	19.7	20.6	0.775
H	15.4	16.2	0.606
J	5.3	5.6	0.209
K	1.3	1.4	0.051
L	2.8	3.3	0.110
P	3.7	4.2	0.146
S	5.35	5.6	0.221

TO-3P Package Mechanical Data



Ref.	Dimensions					
	Millimeters			Inches		
	Min.	Typ.	Max.	Min.	Typ.	Max.
A	4.40		4.60	0.173		0.181
B	1.40		1.60	0.055		0.062
C	15.48		15.8 ^ø	0.609		0.622
D	0.50		0.70	0.019		0.027
E	2.70		2.90	0.106		0.114
F	15.92		16.32	0.626		0.642
G	20.27		20.67	0.798		0.813
H	15.15		15.35	0.590		0.604
J		5.45		0.214		0.216
K	1.10		1.30	0.043		0.051
L	1.15		1.35	0.045		0.053
P	2.68		3.08	0.105		0.121
R		4.20		0.165		

FIG.1 Maximum power dissipation versus on-state current

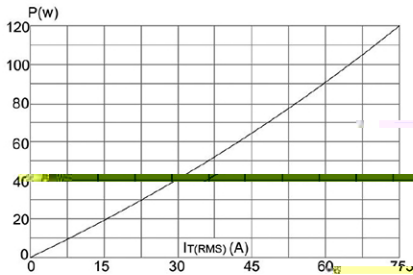


FIG.2: on-state current versus case temperature

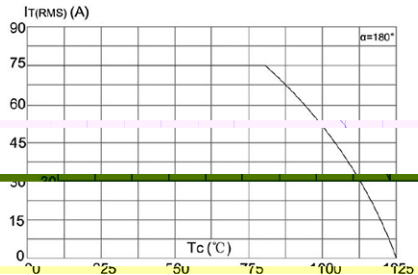


FIG.3: Surge peak on-state current versus number of cycles

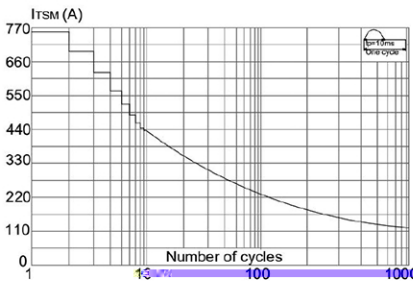


FIG.4: On-state characteristics (maximum values)

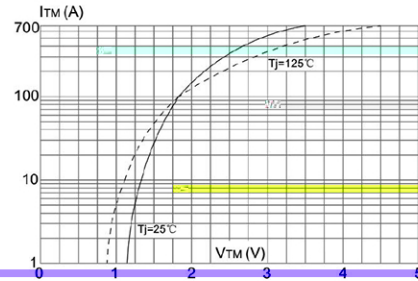


FIG.5: Non-repetitive surge peak on-state current for a sinusoidal pulse with width $t_p < 10\text{ms}$, and corresponding value of $I_2 t$ ($dI/dt < 50\text{A}/\mu\text{s}$)

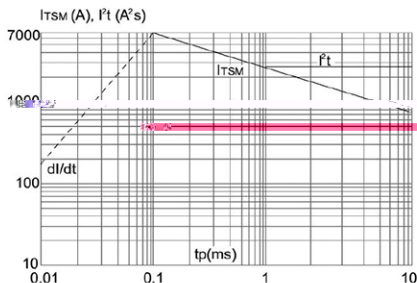


FIG.6: Relative variations of gate trigger current, holding current and latching current versus junction temperature

