
KAMCAP



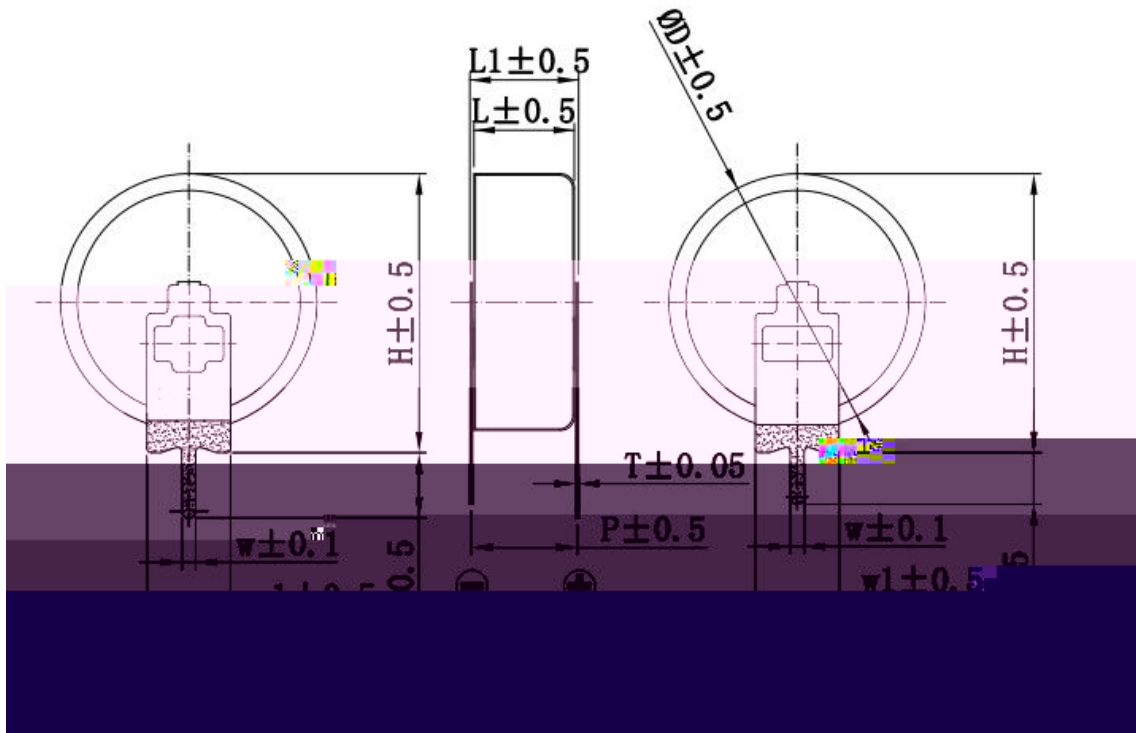
KAMCAP

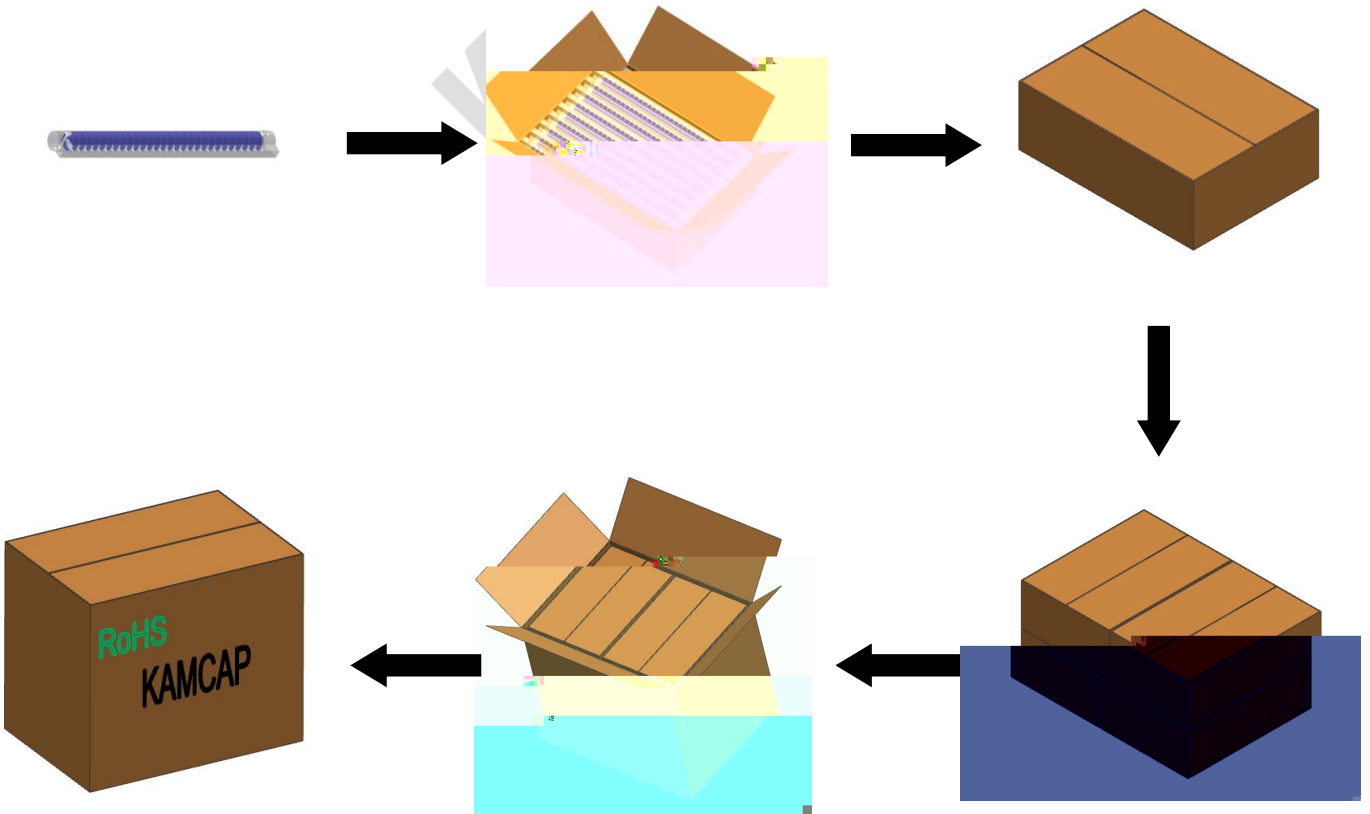
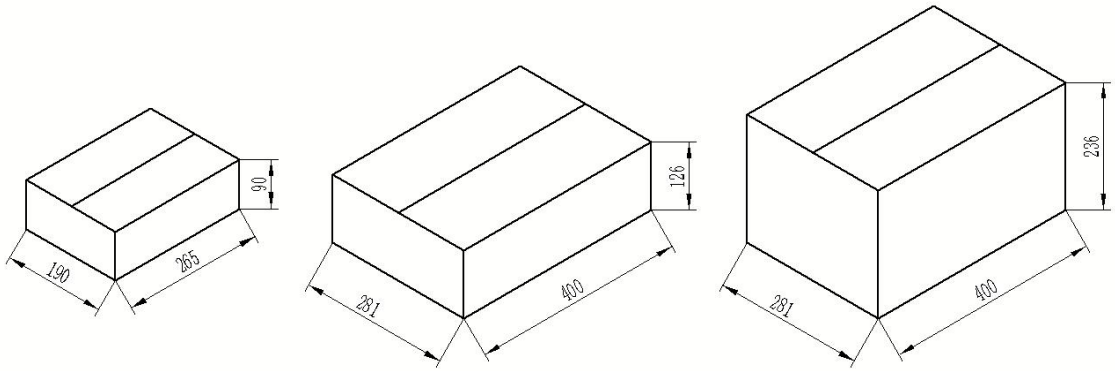
KAMCAP

▲ 5.5V1.0F
 ▲ 5.5V1.0F
 ▲ 5.5V1.0F

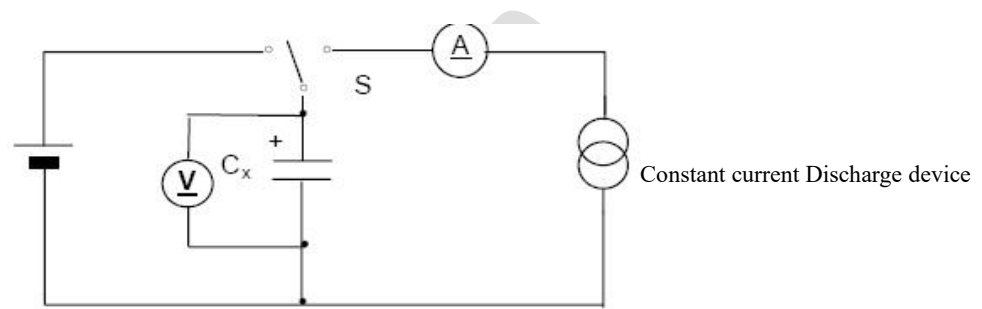
KAMCAP ▲
 85°C ▲
 KAMCAP ▲
 DXXXX ▲

-
-
-





Constant current/constant voltage source

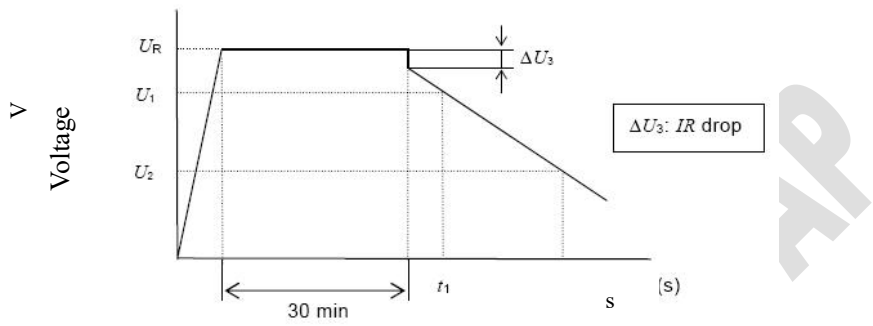


Ⓐ
Ⓥ
S
C_x

..
..

1 -

Figure 1 – Circuit for constant current discharge method



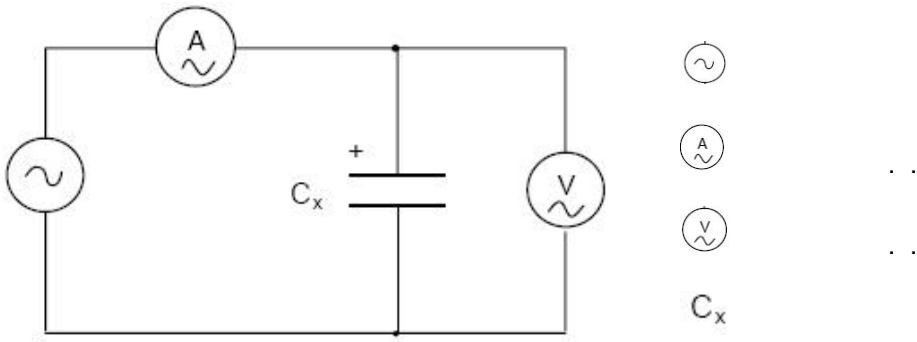
2

Figure 2 – Voltage characteristic between capacitor terminals

$$C = \frac{I \times (t_2 - t_1)}{U_1 - U_2}$$

t_2

KAMC



F

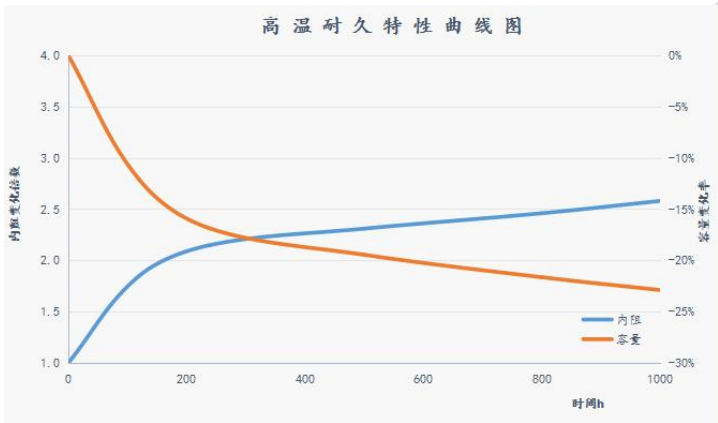
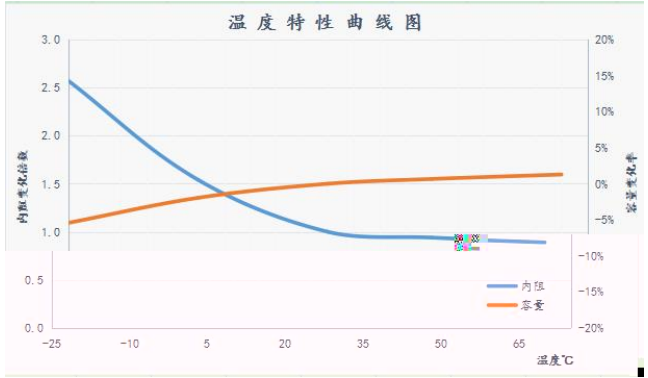
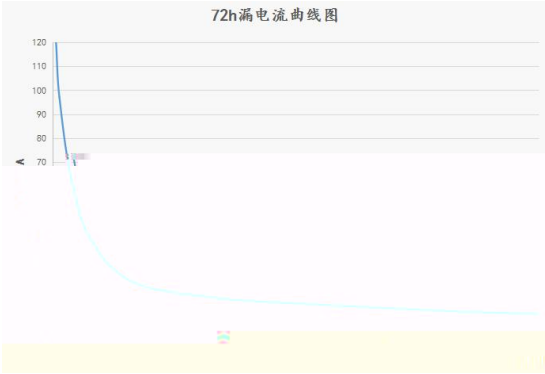
$$R_a = \frac{U}{I}$$

Ra

U

I

KAMCAP



KAMCAP

KAMCAP



J

J

J

J

KAMCAP

