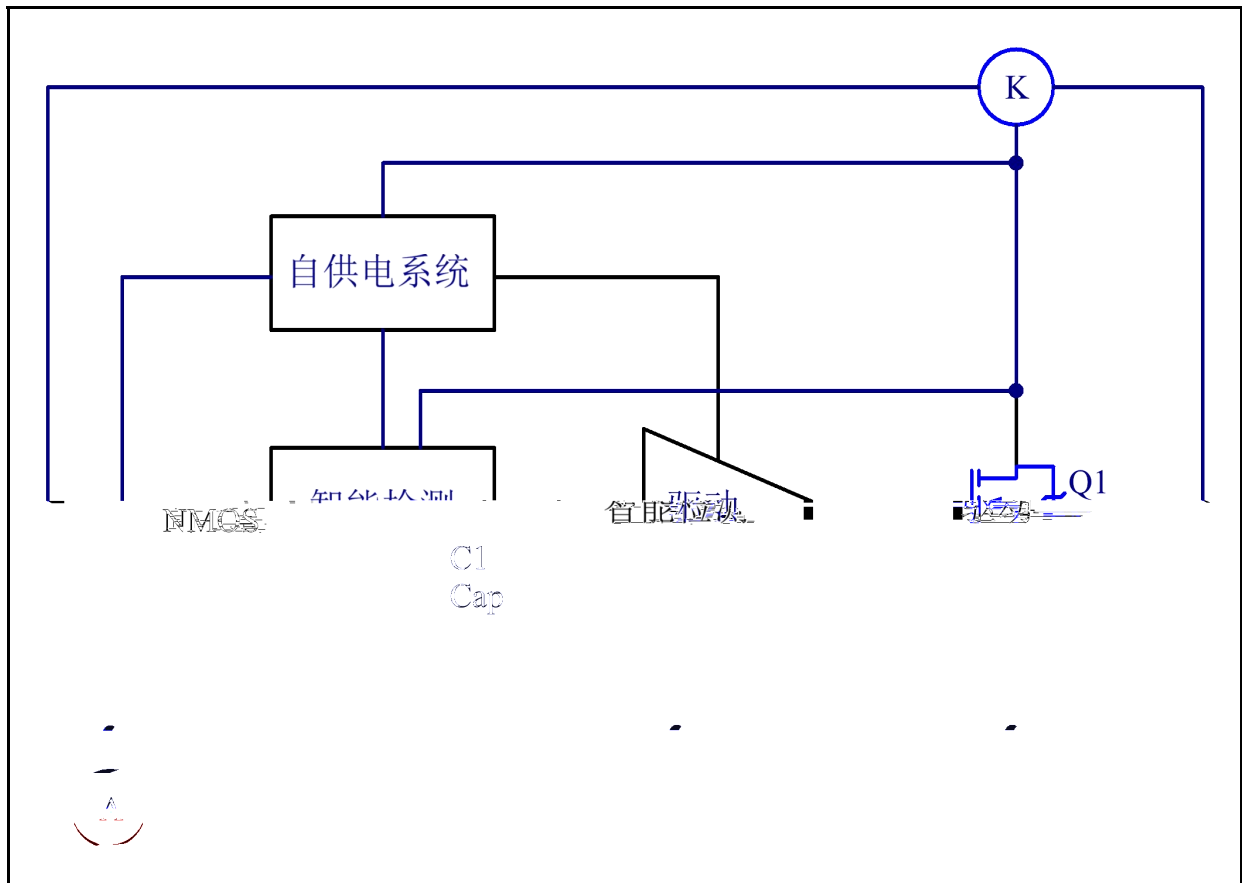


DK5V60R20S	85-265VAC	9V, 2.4A




<b>&amp;</b>						
<b>NMOS</b>						

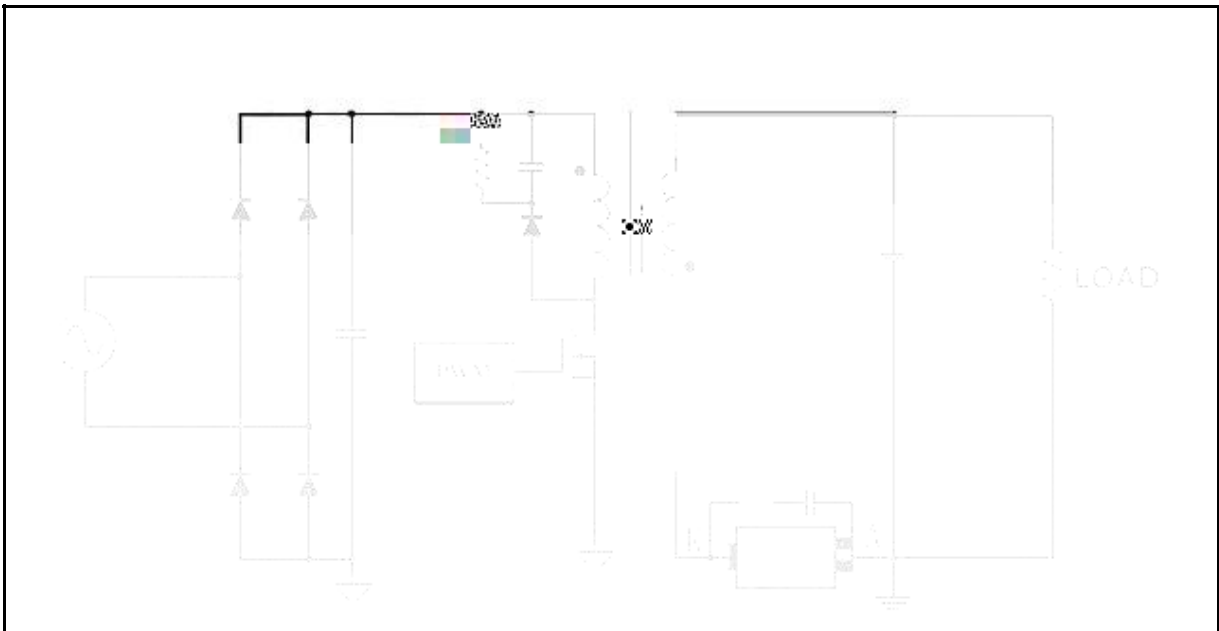
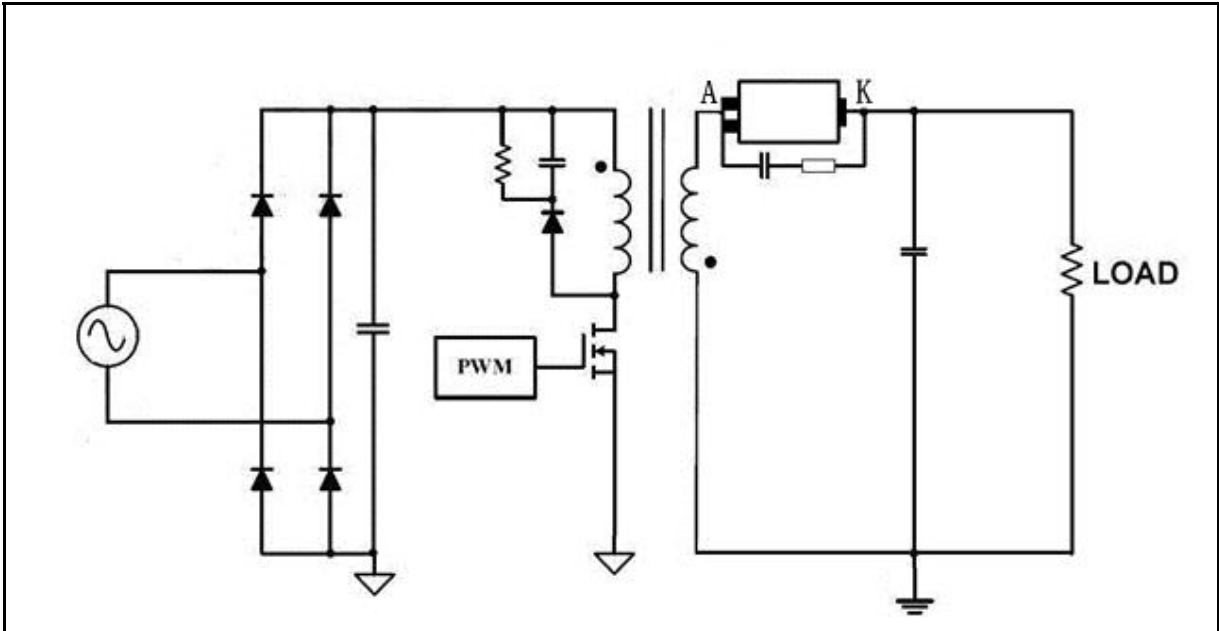
NMOS

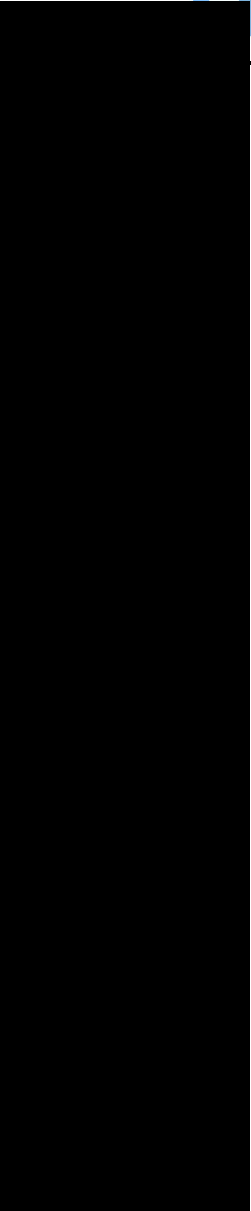
RC

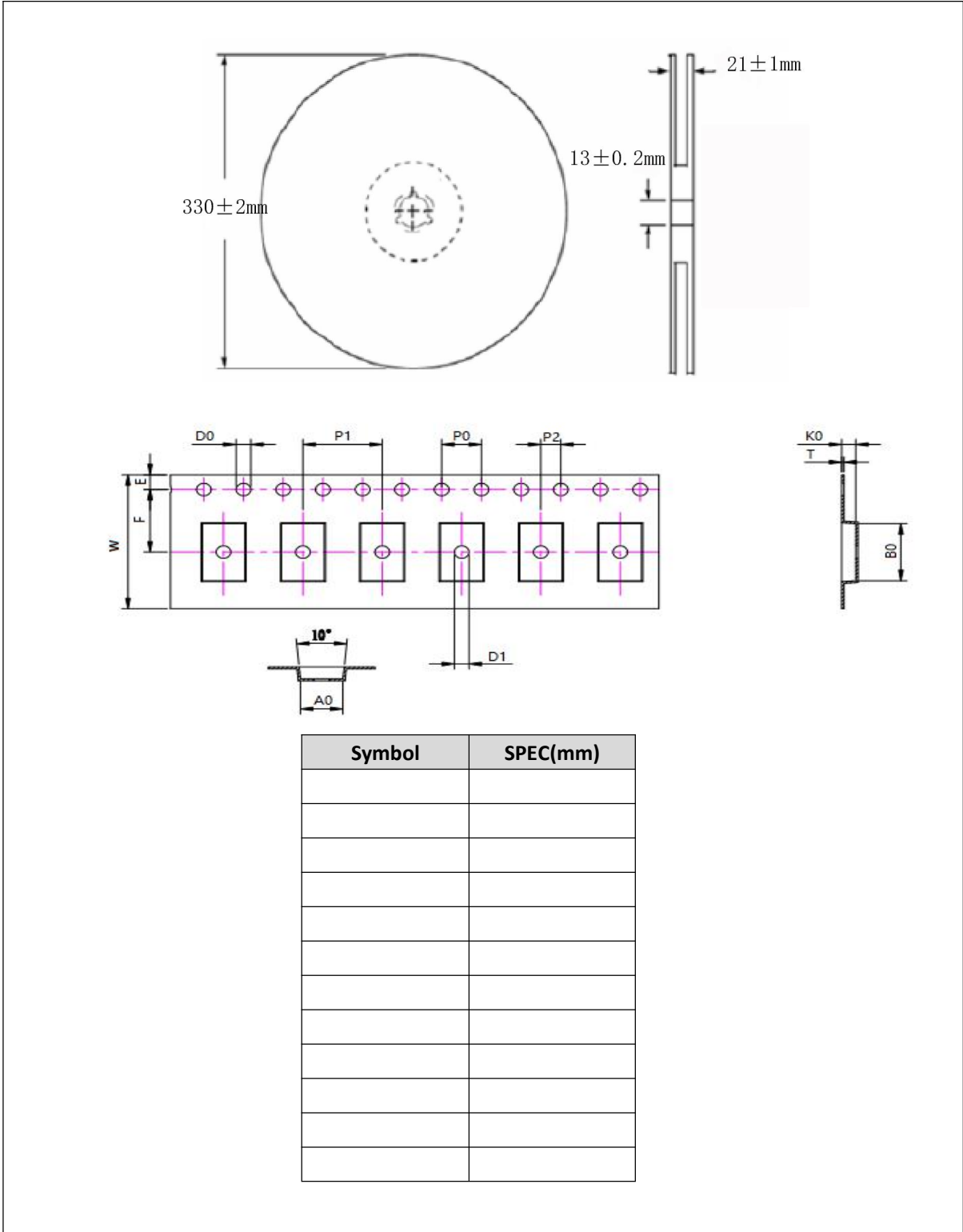
NMOS

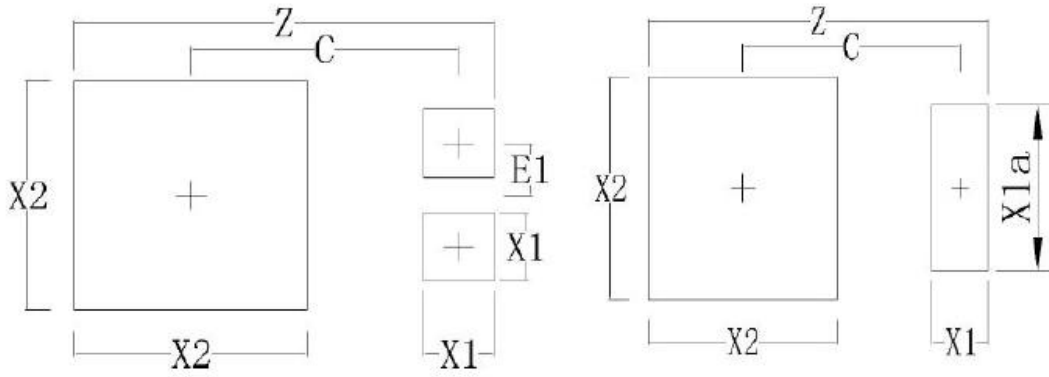
●

●









Symbol	Dimensions In Millimeters





- 
- 
- 
- 
- 
- 
- 
  
-