

# TD356 Series

## SOP4, DC Input Photo Transistor Coupler

### Description

#

!

"

\$

%

"

### Features

- &
- , \* - %
- ,
- . / ,
- \* 1 , &
- &
- + 2 0
- \* %
- 32 . 320 ''
- ) 1 . 14 ( ' ' . . 5 ) 1 (66 . 7
- , 8 , 9 : ; "0\$ : 66;6

### Applications

- 
- 
- &
- <

**SCHEMATIC**

**PIN DEFINITION**

1. Anode
2. Cathode
3. Emitter
4. Collector

**PAC A!E O" T#INE**

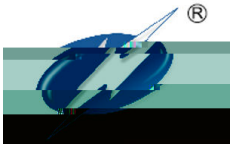


# TD356 Series

## SOP4, DC Input Photo Transistor Coupler

A 'SO#"TE MA(IM"M )ATIN!S				
* +1 1*	=+: 2	) 231	34>	4 1
>4 3				
?	>?	(		
!?	>?	0		0
* % )	)*		)	
>	>	0((	#	
3 3				
, .1 )	),1	6(	)	
1 . , )	)1,	'	)	
, ,	> ,	(		
		0 (	#	
, ++ 4				
		@((	#	
> )	)	(((	)	@
		. A00(	/,	
		. A0@	/,	
		@ (	/,	

! "#\$ %  
&' ( ) ! " \* + , - .



# TD356 Series

## SOP4, DC Input Photo Transistor Coupler

E#ECT ) ICA# OPTICA# CHA ) ACTE ) ISTICS at Ta*2+,C							
* +1 1*	=+ : 2	+>4	= " + B" 34>	1 , 4 > > 4	4 1		
>4 3							
? )	)?	.	0"@ 0"	) )	>?C0(		
* % ,	>*	.	. 0( D	) *C )			
> ,	,	.	0( . ?	)C(\$ CO!&E			
3 3							
, ! ,	>,1	.	. 0((	) , 1C@()\$>?C(			
, .1 : ! )	: ) ,1	6(	. . )	>,C("0 \$>?C(			
1 ' , : ! )	: ) 1,	'	. . )	>1C("0 \$>?C(			
* 4 ?1* , & * , 1*> > ,							
,	:	,	,	*	F	>?C \$ ) , 1C )	
			( . ((				
			6( . 0 (				
	:		0 ( . @ (				
	,		@(( . ((				
		,	(( . ((				
	0		. 0@				
	:0		0(( . @((				
	,0		0 ( . @ (				
	0		@ ( . ((				
, .1 )	) , 15 7	.	(" ( "@ )	) )	>?C@ ( \$ > , CO		
> *	* ,	0(GO@ 0(GO	. H	) )	, (()\$ ( A (F *"&"		
? ,	, >	.	(" 0 ?	) )	)C(\$ CO+&E		
, . ? <		.	6( . !&E	) , 1C@)\$> , C@	*2CO((H\$. :		
* 5* 7		.	06 D	) , 1C@)\$> , C@	*2CO((H		
* 5? 7		.	06 D	) , 1C@)\$> , C@	*2CO((H		

( / 0  
+ ( / +

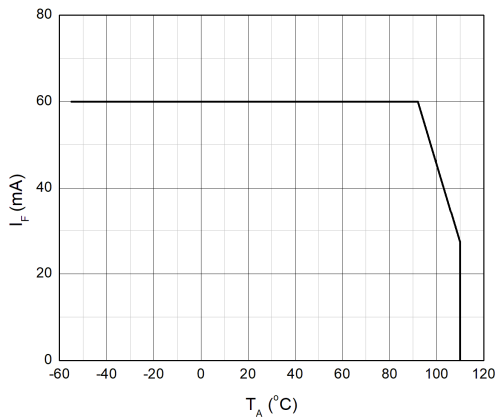


# TD356 Series

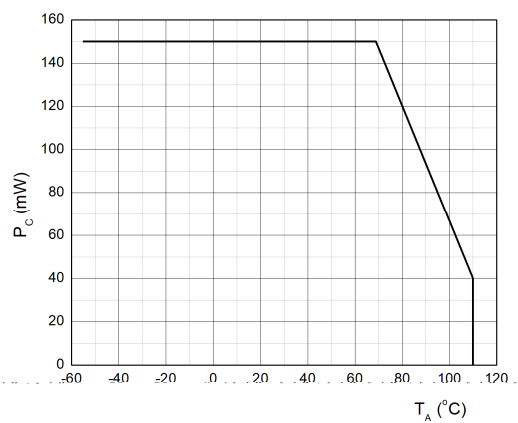
## SOP4, DC Input Photo Transistor Coupler

### CHARACTERISTICS - ES

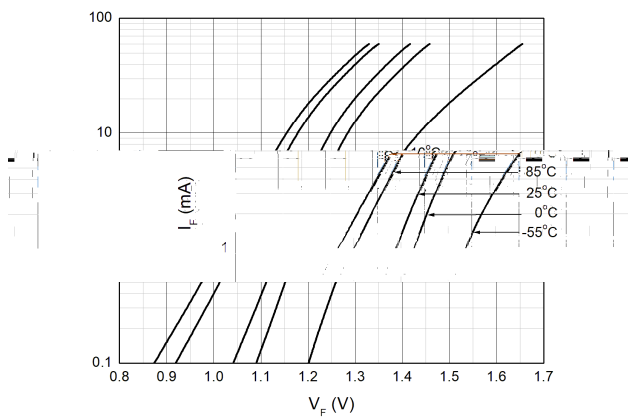
**Fig. 1 Forward Current vs. Ambient Temperature**



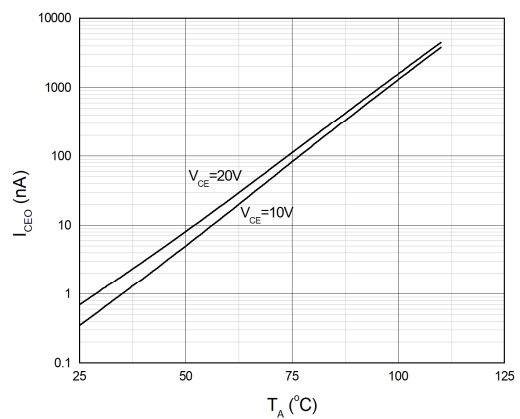
**Fig. 2 Collector Power Dissipation vs. Ambient Temperature**



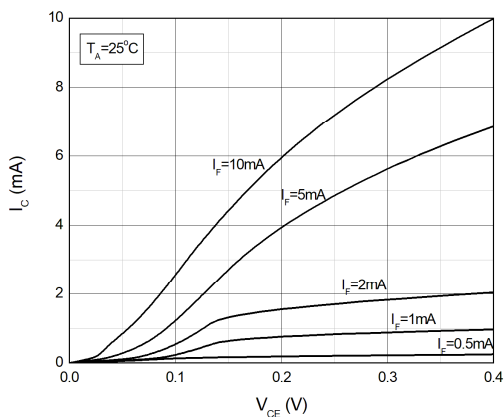
**Fig. 3 Forward Current vs. Forward Voltage**



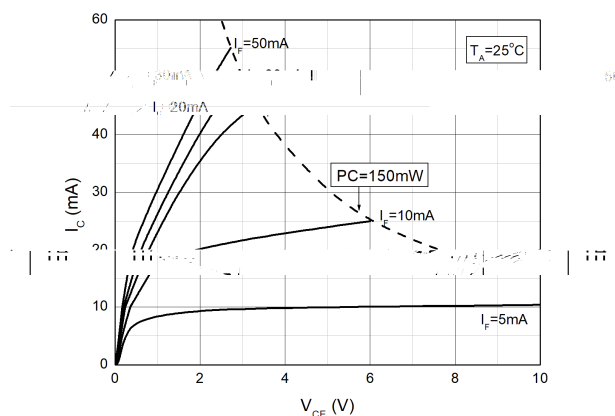
**Fig. 4 Collector Dark Current vs. Ambient Temperature**

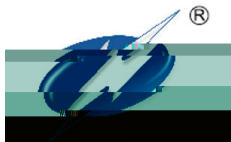


**Fig. 5 Collector Current vs. Collector-Emitter Voltage**



**Fig. 6 Collector Current vs. Collector-Emitter Voltage**



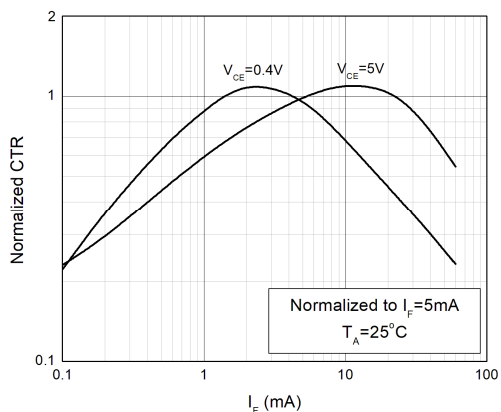


# TD356 Series

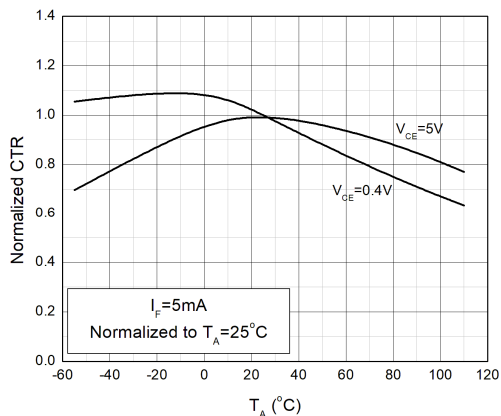
## SOP4, DC Input Photo Transistor Coupler

### CHARACTERISTICS - ES

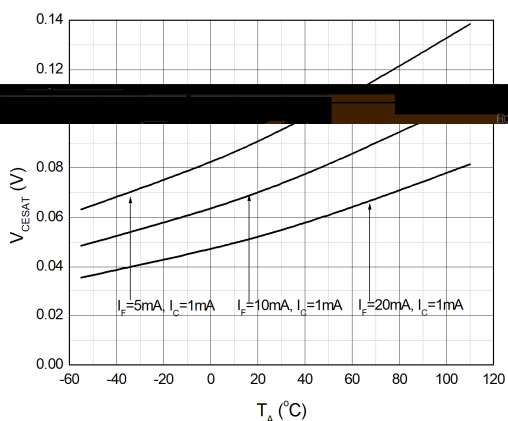
**Fig. 5 Normalized Current Transfer Ratio vs. Forward Current**



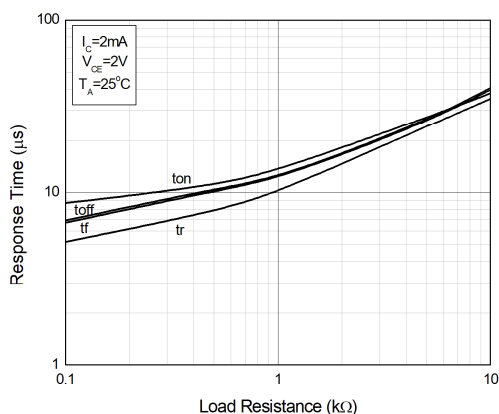
**Fig. 8 Normalized Current Transfer Ratio vs. Ambient Temperature**



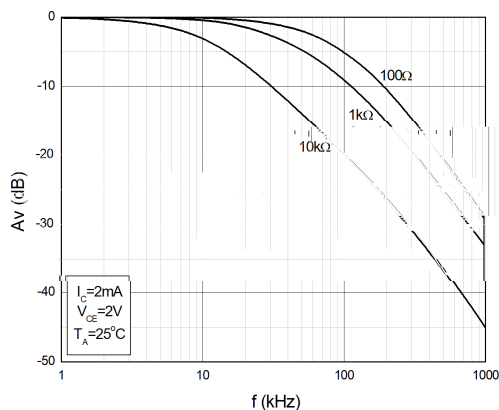
**Fig. 9 Collector-Emitter Saturation Voltage vs. Ambient Temperature**

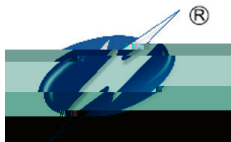


**Fig. 10 Switching Time vs. Load Resistance**



**Fig. 11 Frequency Response**





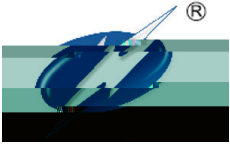
# TD356 Series

## SOP4, DC Input Photo Transistor Coupler

### TEST CIRCUITS

Fig. 12 Test Circuit of  $\tau_{on}$  Time

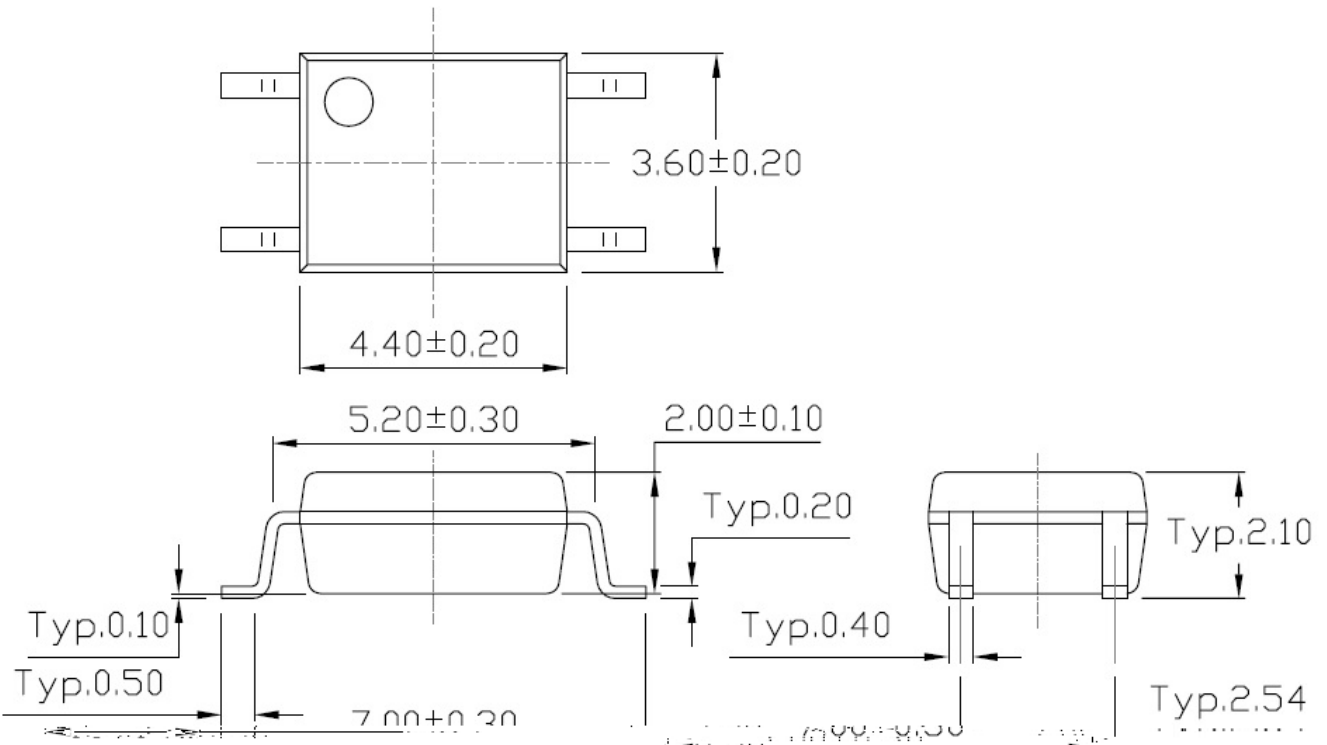
Fig. 13 Test Circuit of  $\tau_{off}$  Time



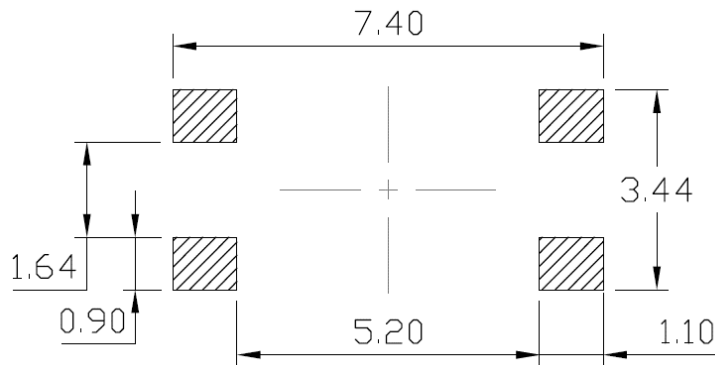
# TD356 Series

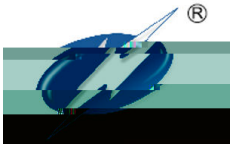
## SOP4, DC Input Photo Transistor Coupler

### PACKAGE DIMENSIONS (Dimensions in mm unless otherwise stated)



### Recommended Solder Mask (Dimensions in mm unless otherwise stated)



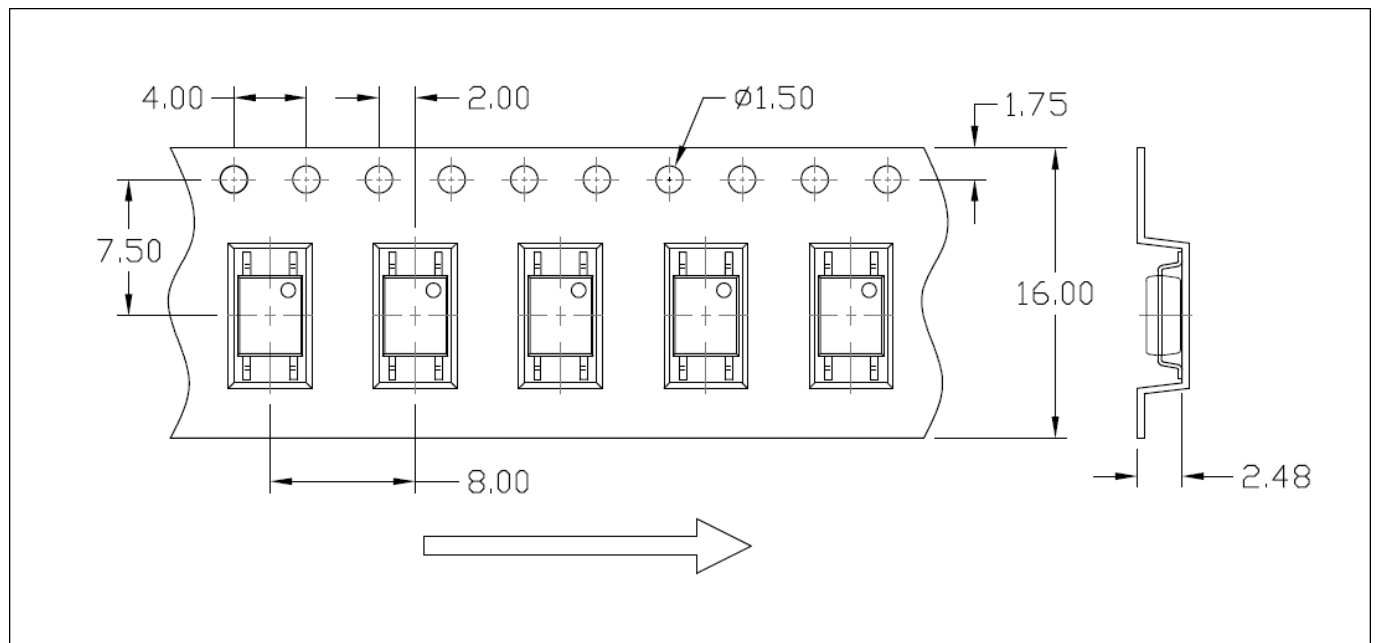


# TD356 Series

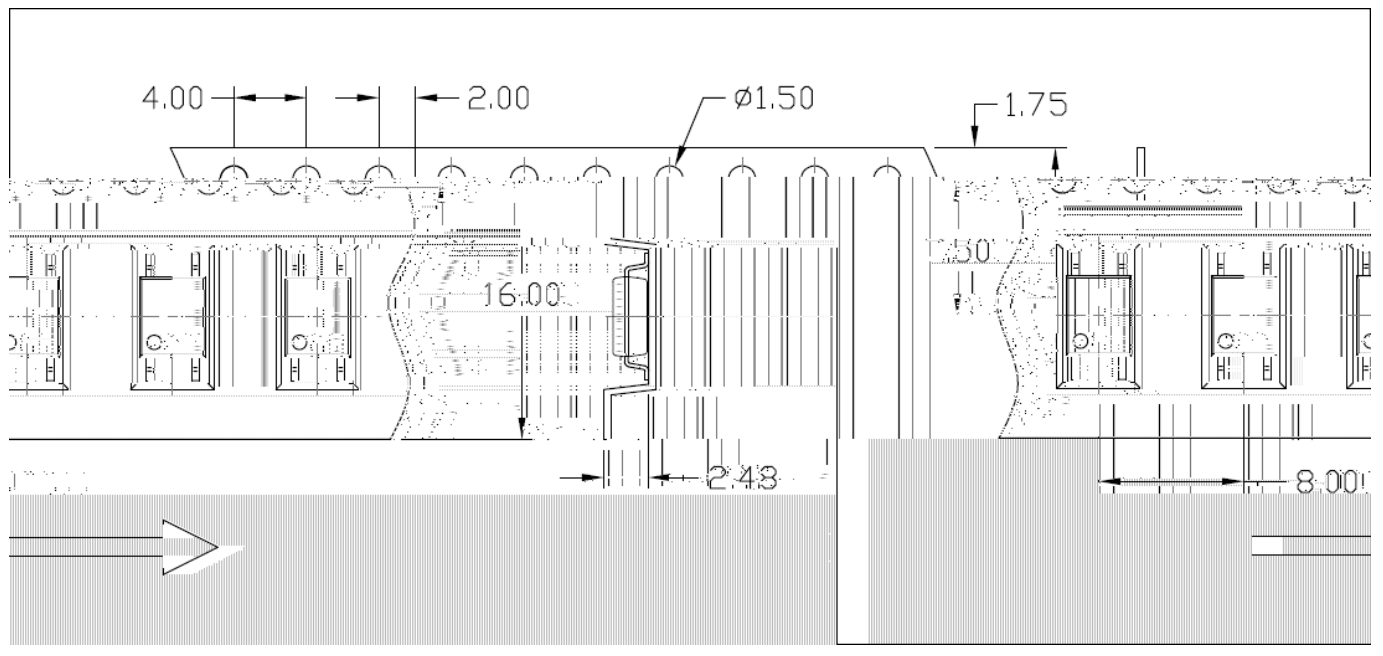
## SOP4, DC Input Photo Transistor Coupler

### TAPE SPECIFICATIONS (Dimension\$ in mm & nle\$\$ other / i\$e \$tated=

Option T1



Option T2





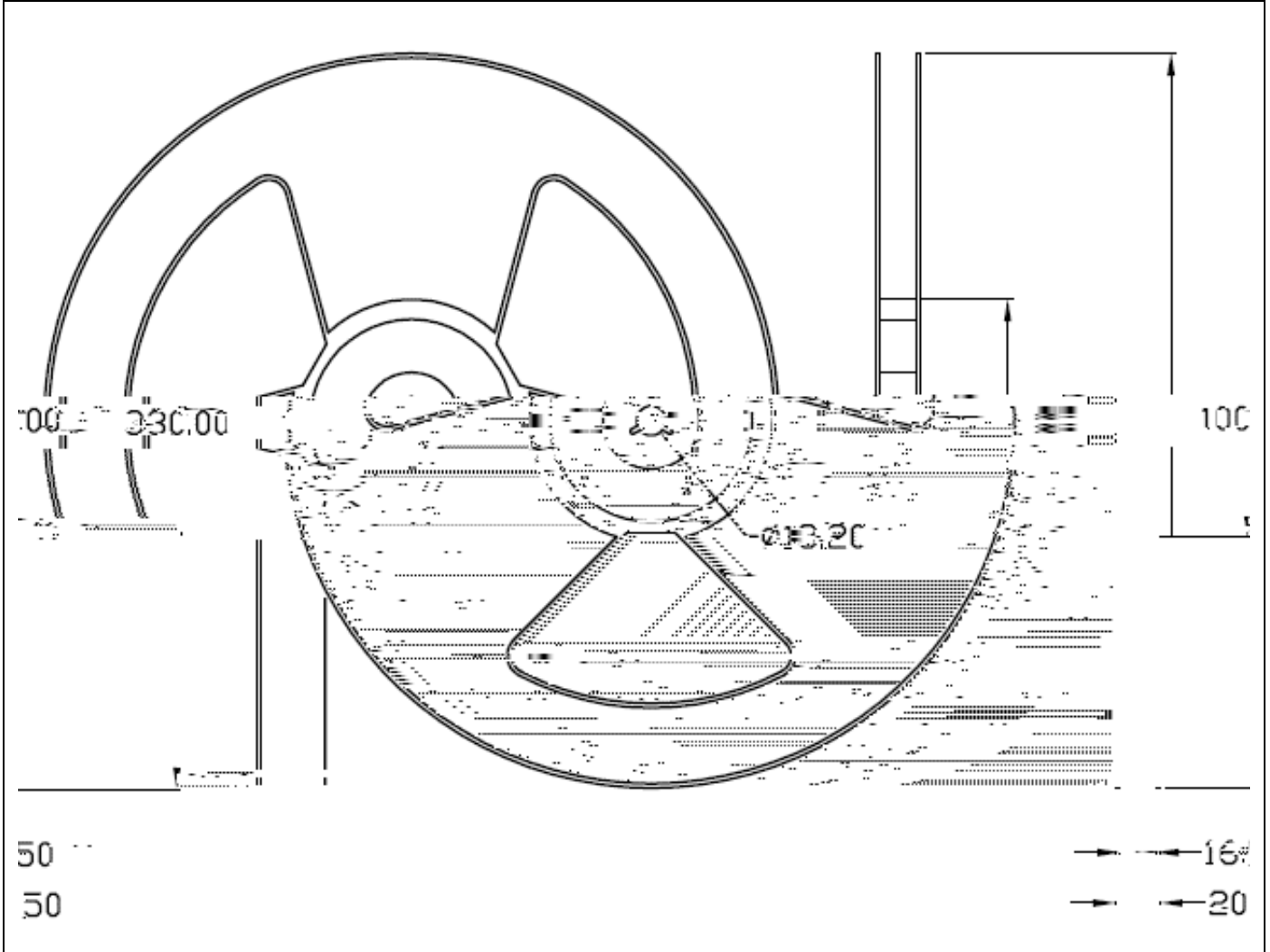


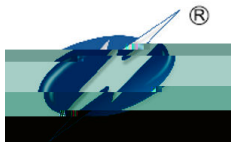
# TD356 Series

## SOP4, DC Input Photo Transistor Coupler

MECHANICAL SPECIFICATIONS (Dimensions in mm unless otherwise stated)

Option T1 > T2





# TD356 Series

## SOP4, DC Input Photo Transistor Coupler

### 1. ELECTRICAL SPECIFICATIONS (V<sub>CC</sub> = 5V, I<sub>CC</sub> = 10mA)

1.1. DC Characteristics

- 1.2.3.2. \* - 2 - 2 -

1.2. Other Characteristics

- 1.2.3.2. \* + 2 4 2 4



# TD356 Series

## SOP4, DC Input Photo Transistor Coupler

### ORDERING AND MARKING INFORMATION

#### MARKING INFORMATION

	<p>TD      @ Component</p> <p>3+4    @ Part Number</p> <p>(        @ CT )</p> <p>-        @ -DE Option</p> <p>A        @ Fiscal Area</p> <p>A        @ Manufacturing Code</p> <p>B B     @ B or B</p>
--	---

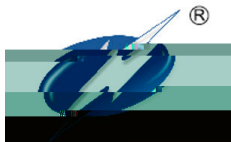
#### ORDERING INFORMATION

#### PART NUMBER INFORMATION

<p><b>TD356 (CT=3) -</b></p> <p>9,                          "</p> <p>9    4</p> <p>B 9 *    ! 5 ! : ! , !    4    7</p> <p>J 9                          *                          5 0 ! @ 7</p> <p>9</p> <p>) 9 ) 1                          5)    4    7</p>	<div style="border: 1px solid black; padding: 5px;"> <p>Part No : XXXXXXXXXXXXX      Bin Code : X</p> <p>Lot No : XXXXXXXXXXXX</p> <p>Date Code : XXXX</p> <p>Q'ty : XXXX pcs</p> </div>
--	--

#### PART NUMBER ANTICIPATORY

Option	E&antit<	E&antit< F Inner 1o?	E&antit< F Outer 1o?
0	(( ( 3 I *	*   > -	> -I - C ! 3
@	(( ( 3 I *	*   > -	> -I - C ! 3



# TD356 Series

## SOP4, DC Input Photo Transistor Coupler

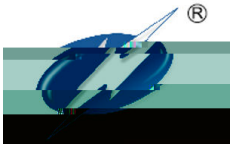
### PROFILE INFORMATION

PROFILE #

Profile Feature

Sn3P1 Assembly Profile

P13Free Assembly



# TD356 Series

## SOP4, DC Input Photo Transistor Coupler

### DISC#AIME )

● 2> & 4>4 % < \$ \$ " 2> & 4>4  
% ! "  
● % "  
● 2> & 4>4 ! \$ " -  
- \$ 2> & 4>4 5 7  
\$ 5 7 \$ \$  
< \$ 5 7 \$  
● \$ < \$ % \$ I% < \$  
\$ . " "  
● \$ \$ % \$ \$ "  
% L "  
● 2> & 4>4 < "  
● > || "  
● % % % "  
% " \$ % \$ % "  
|| - " -  
● 2> & 4>4 || \$  
- " ! \$ . ">  
"