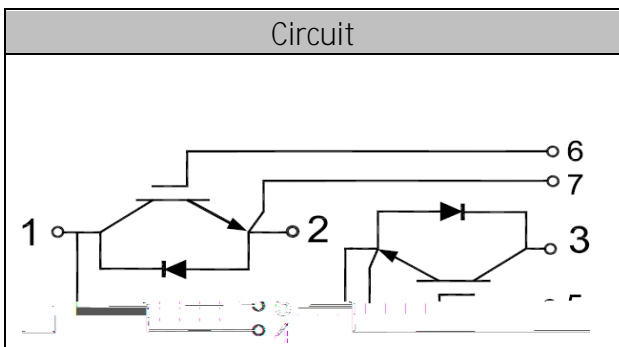


IGBT Modules

V_{CES}

I_c

Applications



Features

● IGBT

Absolute Maximum Ratings

Parameter	Symbol	Conditions	Value	Unit



MG75HF12TLC1 ^P_{AM N L}

Characteristic values

Parameter	Symbol	Conditions	Value			Unit
			Min.	Typ.	Max.	



● Diode

Absolute Maximum Ratings

Parameter	Symbol	Conditions	Value	Unit

Characteristic values

Parameter	Symbol	Conditions	Value			Unit
			Min.	Typ.	Max.	



MG75HF12TLC1 ^P_{AM N L}

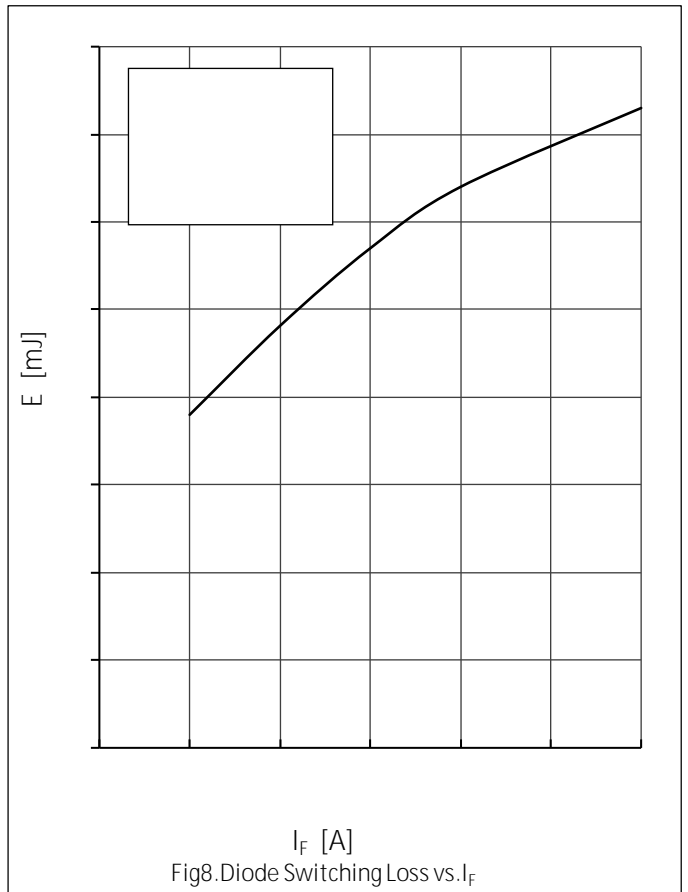
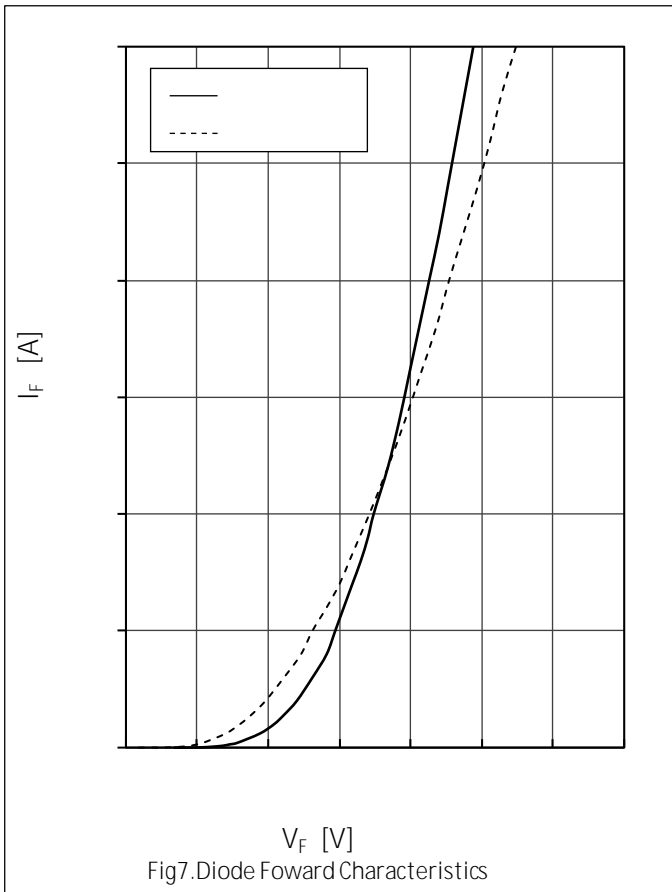
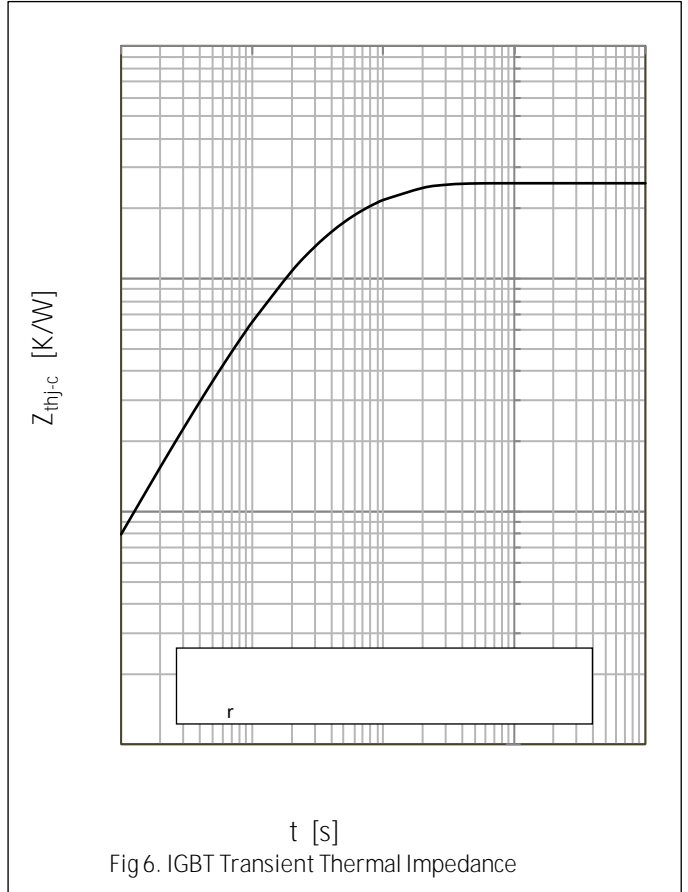
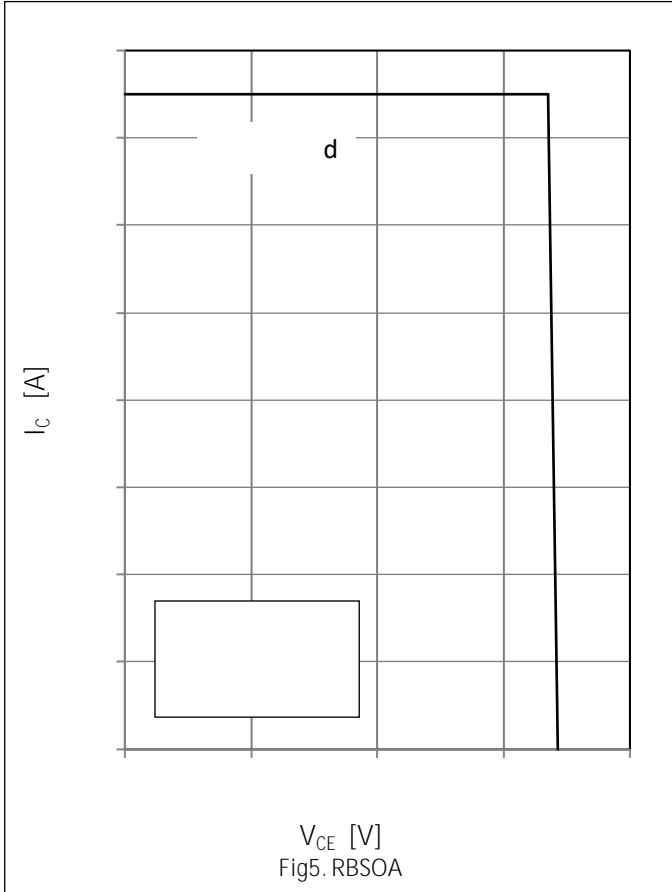
● Module Characteristics

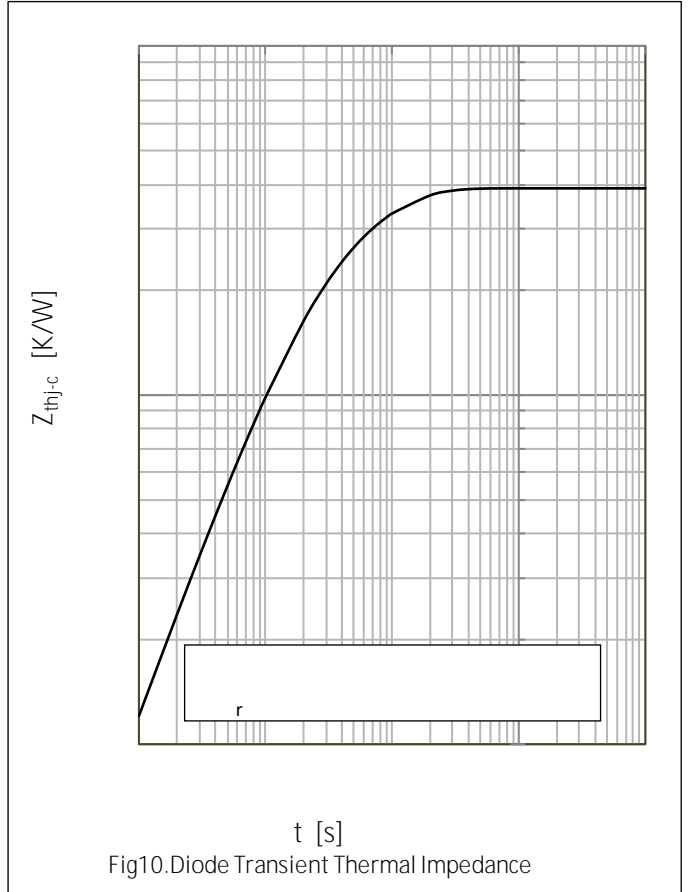
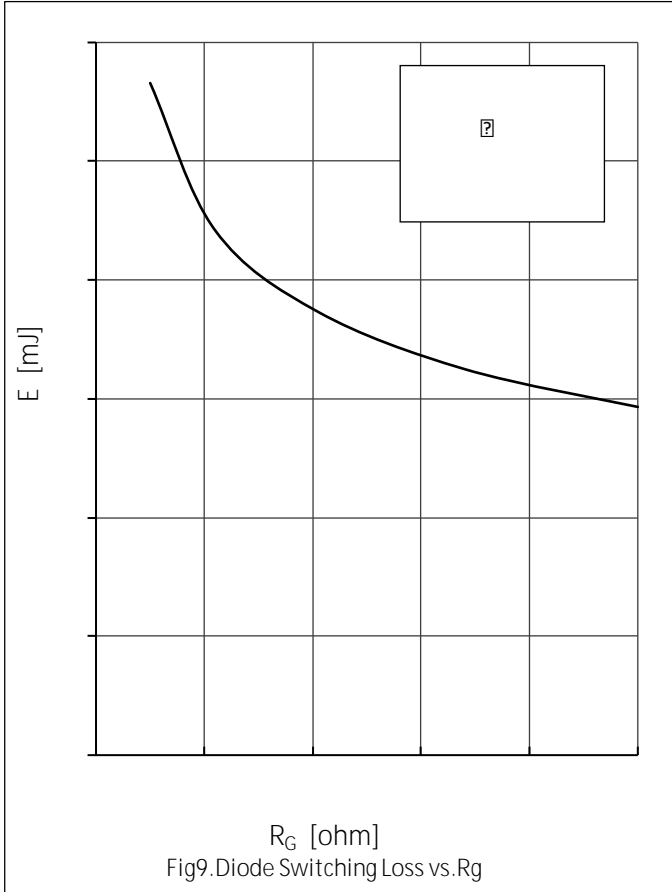
T_c=25°C unless otherwise specified

Parameter	Symbol	Conditions	Value			Unit
			Min.	Typ.	Max.	



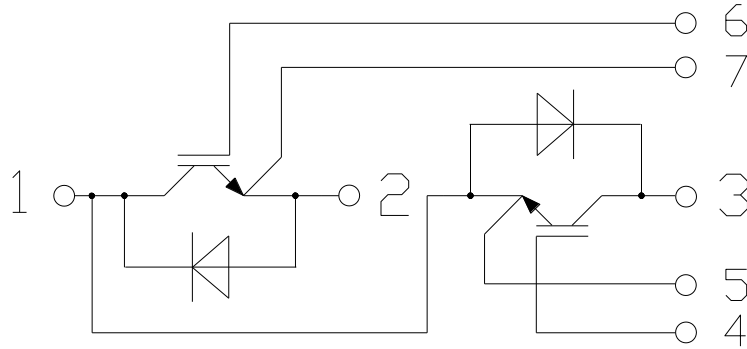
MG75HF12TLC1







● Circuit Diagram



● Package Outline Information

