



SOP4, DC Input Photo Transistor Coupler

Description

Features

Applications

-
-
-
-

SCHEMATIC	
PIN DEFINITION	
1. Anode	
2. Cathode	
3. Emitter	
4. Collector	
PACKAGE PHOTO	



CHARACTERISTICS - ES

Fig. 1 Forward Current vs. Ambient Temperature

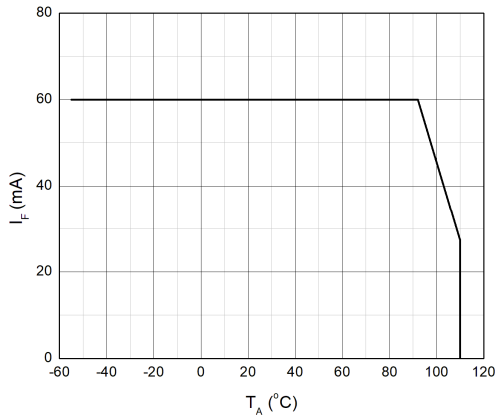


Fig. 2 Collector Power Dissipation vs. Ambient Temperature

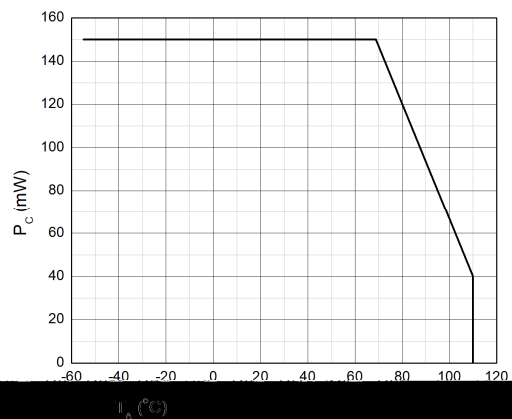


Fig. 3 Forward Current vs. Forward Voltage

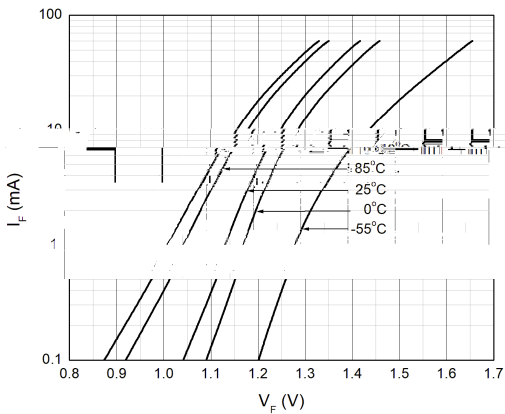


Fig. 4 Collector Dark Current vs. Ambient Temperature

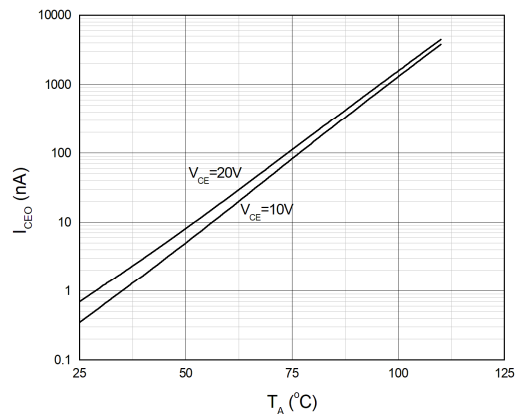


Fig. 5 Collector Current vs. Collector-Emitter Voltage

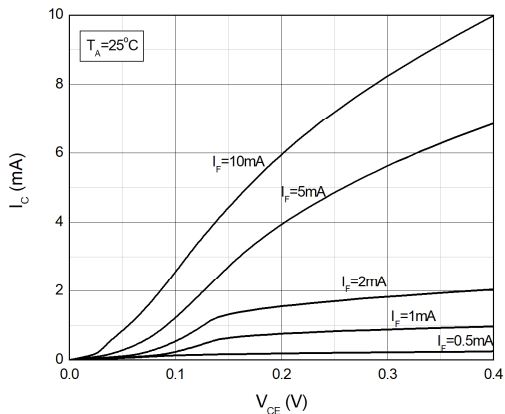
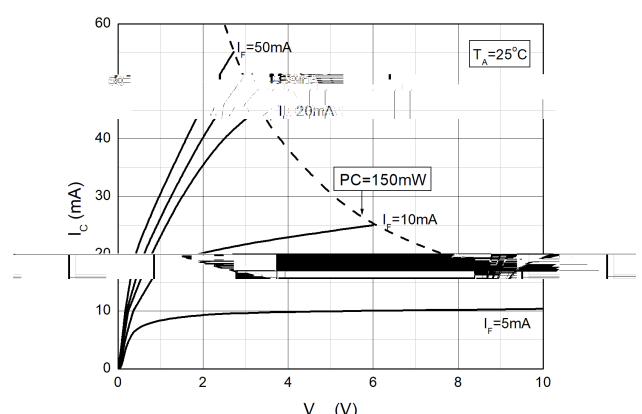


Fig. 6 Collector Current vs. Collector-Emitter Voltage





CHARACTERISTICS - ES

Fig. 5 Normalized Current Transfer Ratio vs. Forward Current

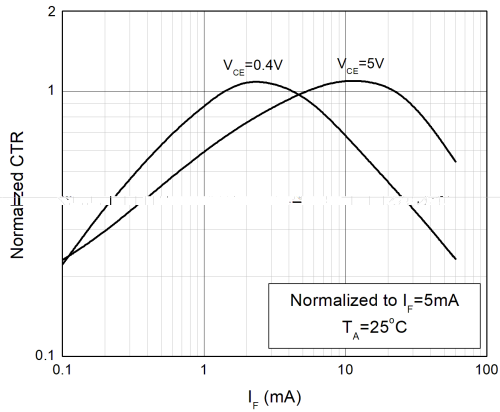


Fig. 8 Normalized Current Transfer Ratio vs. Ambient Temperature

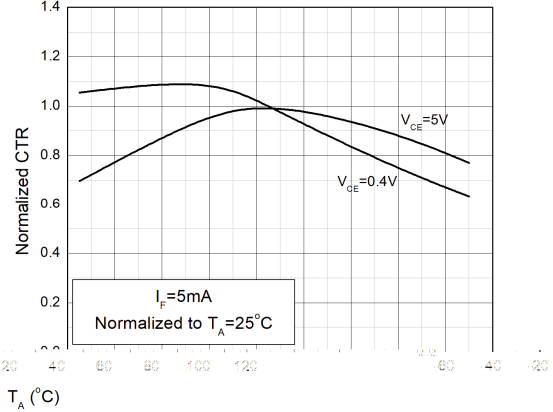


Fig. 9 Collector-Emitter Saturation Voltage vs. Ambient Temperature

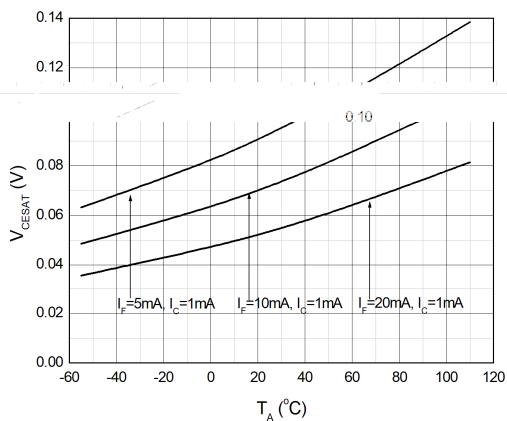


Fig. 10 Switching Time vs. Load Resistance

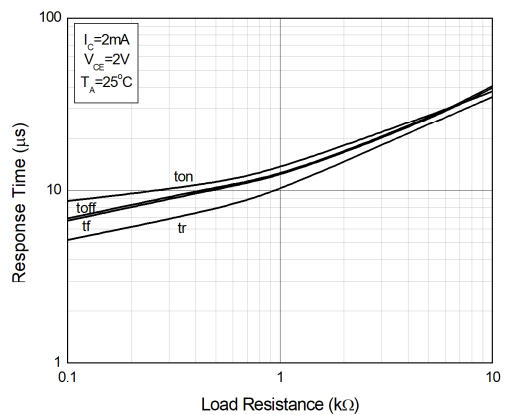
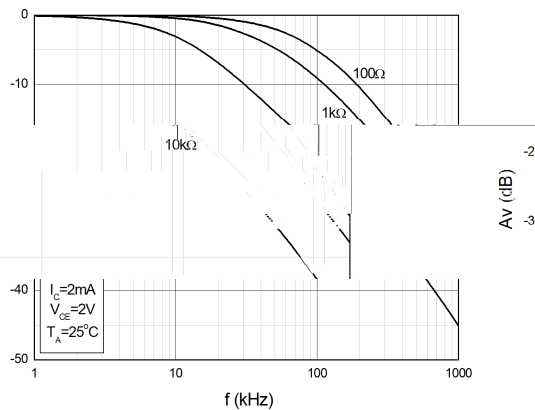


Fig. 11 Frequency Response





TEST CIRCUITS

Fig. 12 Test Circuit of Rise Time

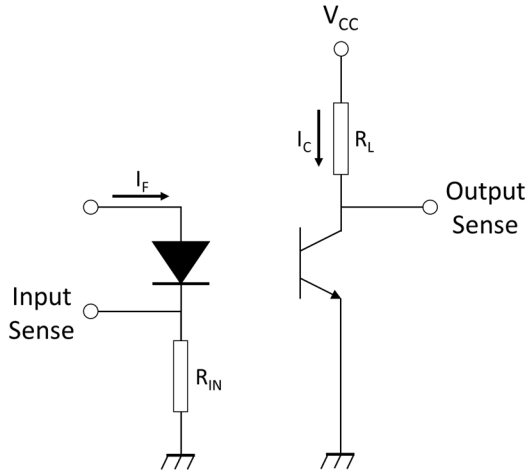


Fig. 13 Characteristic of Rise Time

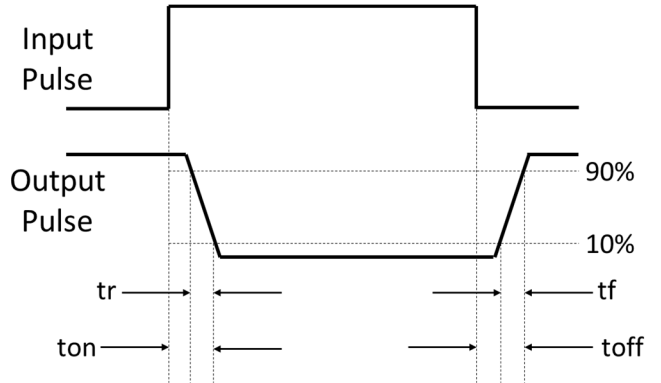
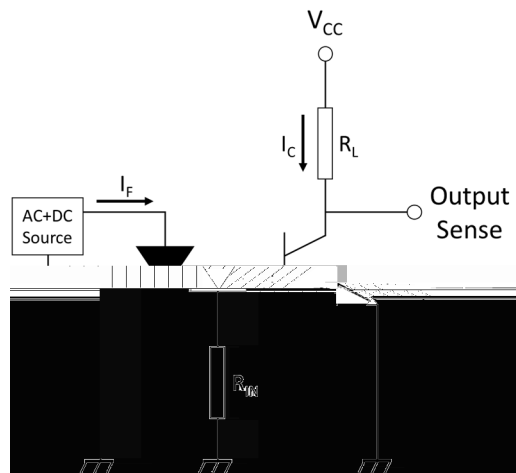
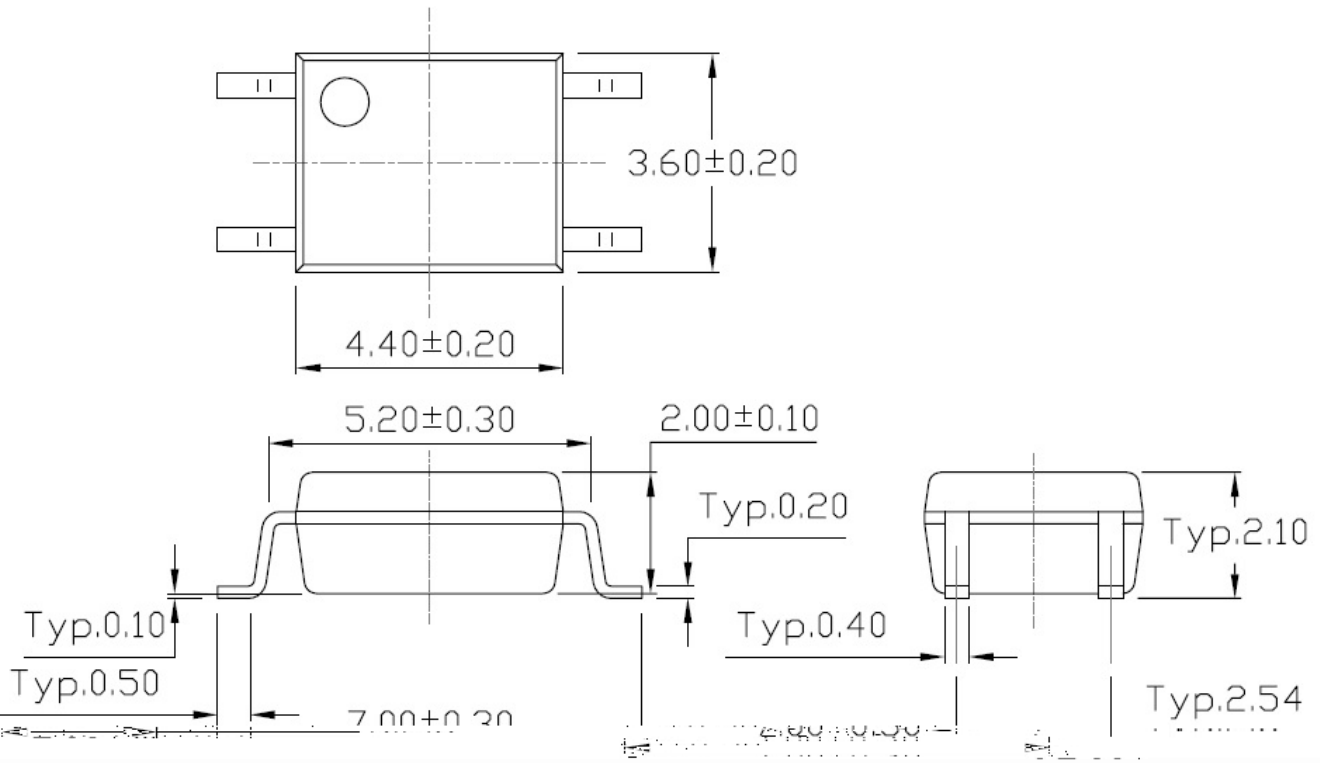


Fig. 14 Test Circuit of Frequency

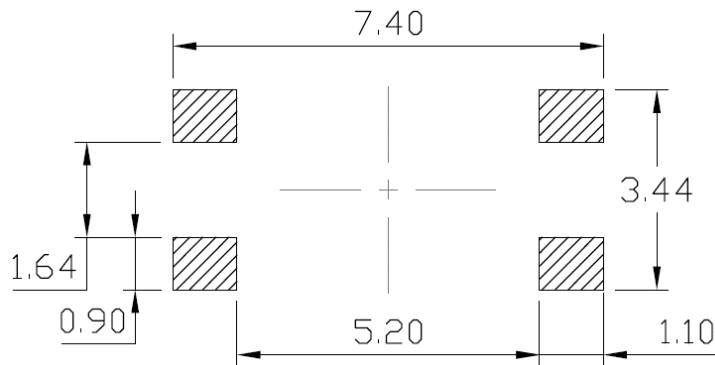




PACKAGE DIMENSIONS (Dimensions in mm unless otherwise stated)



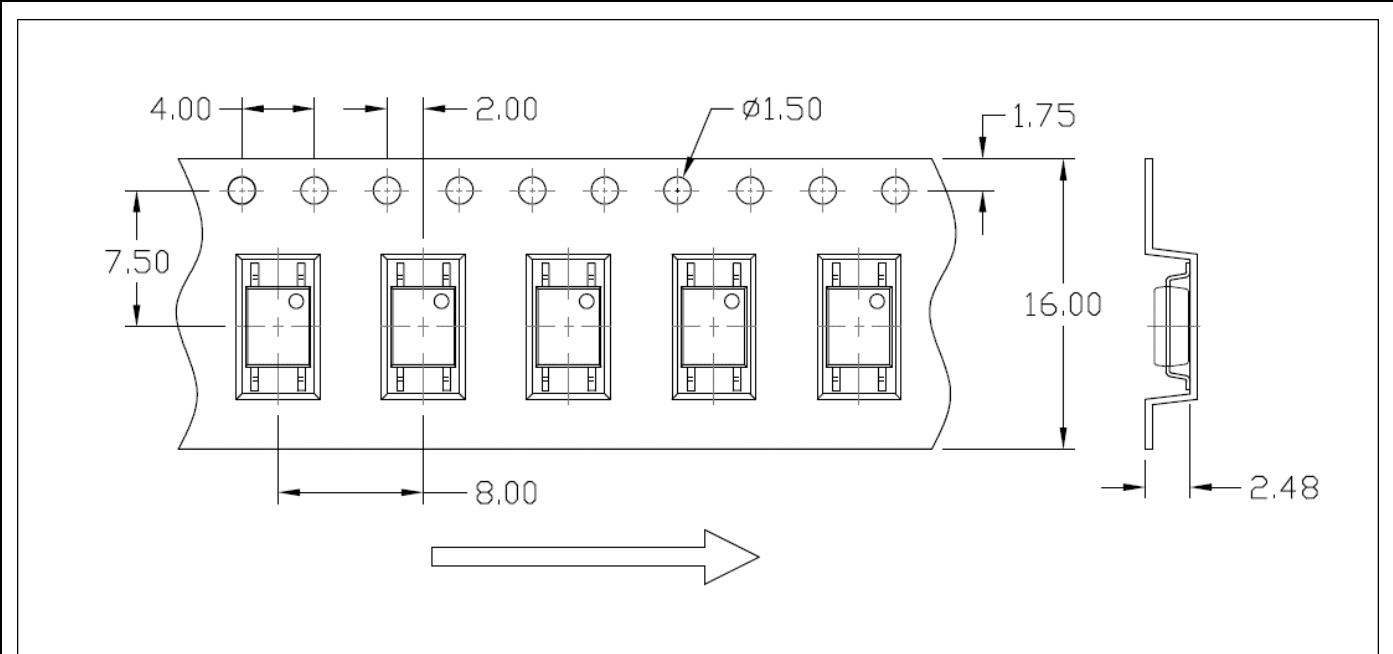
Recommended Solder Mask (Dimensions in mm unless otherwise stated)



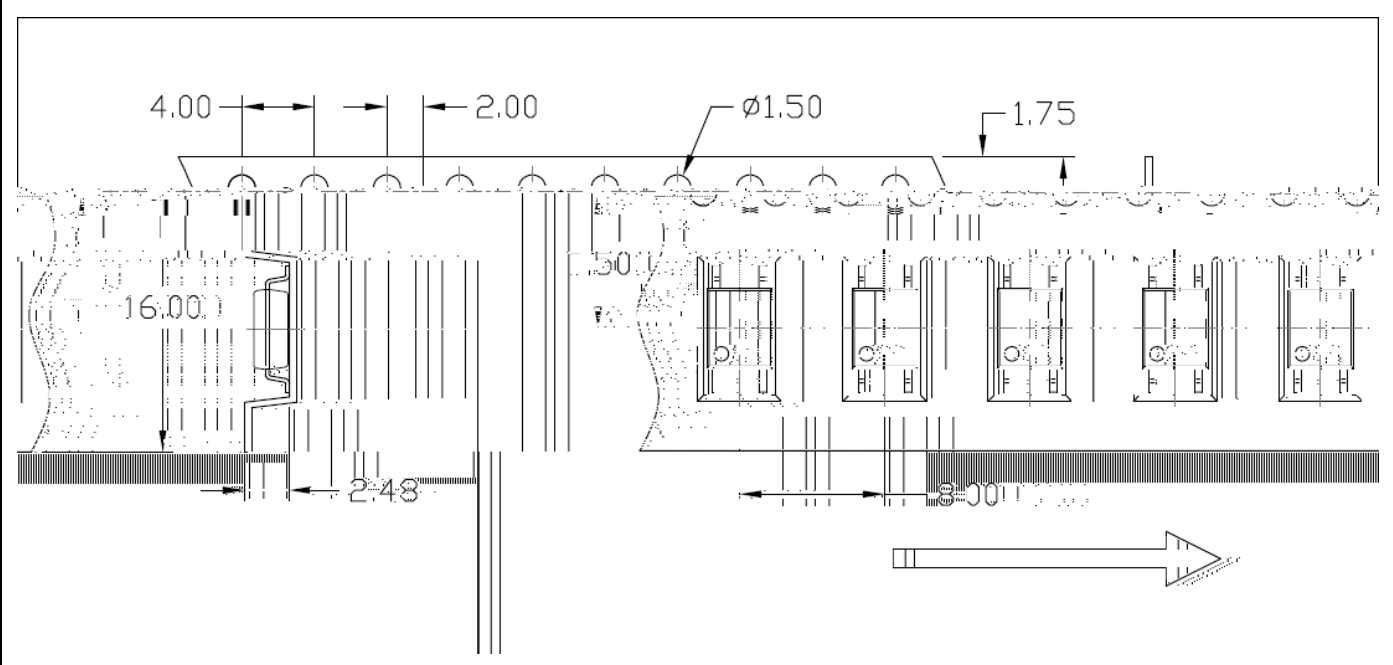


TAPE SPECIFICATIONS (Dimension\$ in mm & nle\$\$ other / i\$e \$tated=

Section T1



Section T2

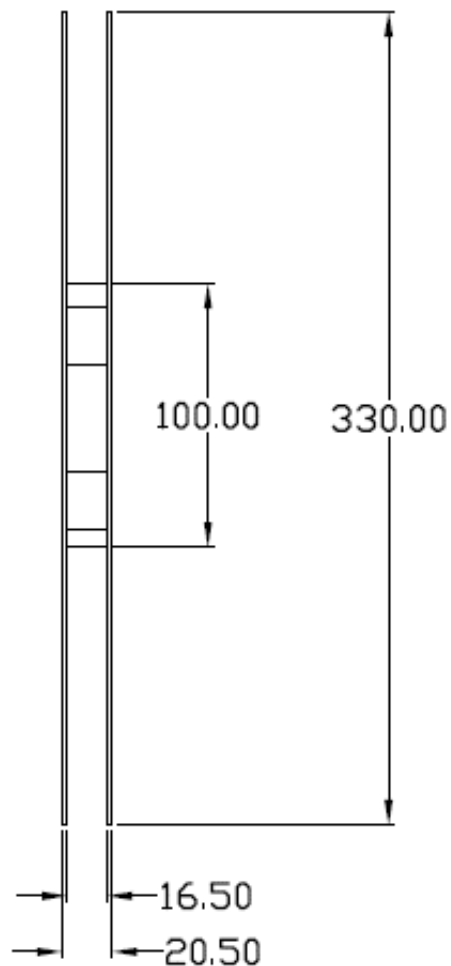
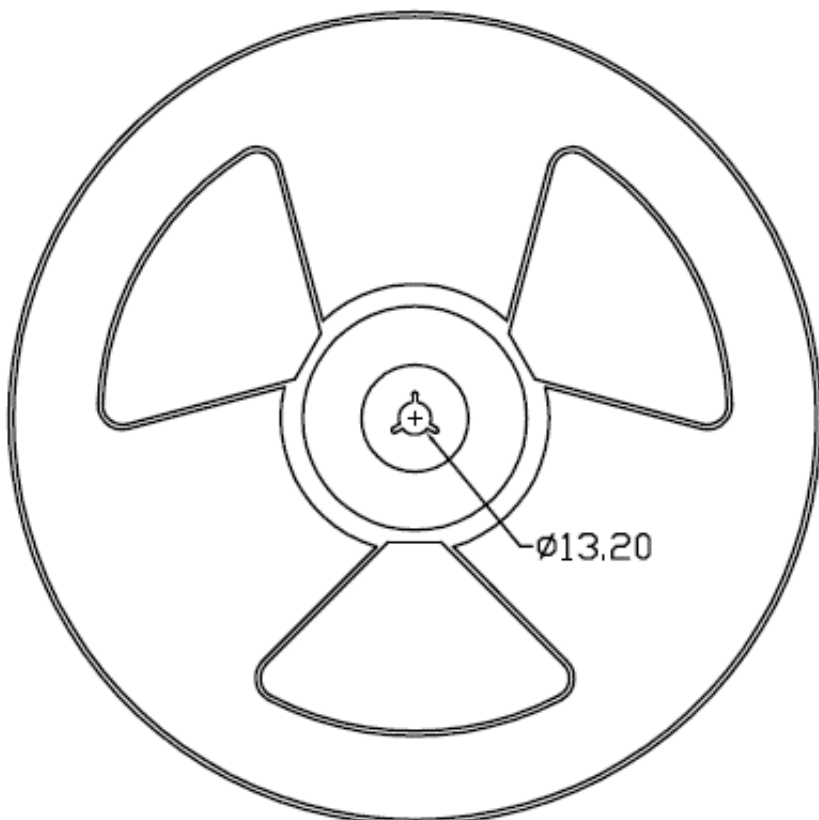




TD356 Series SOP4, DC Input Photo Transistor Coupler

MECHANICAL SPECIFICATIONS (Dimensions in mm unless otherwise stated)

Option T1 > T2





SOP4, DC Input Photo Transistor Coupler

1. ELECTRICAL SPECIFICATIONS (V_{CE} = 5V, I_C = 10mA)

Inner Pin

1.232" * 3.23cm * 2.9cm

Outer Pin

1.232" * 5.23cm * 3.4cm



SOP4, DC Input Photo Transistor Coupler

ORDERING AND MARKING INFORMATION

MARKING INFORMATION

<p style="text-align: center;"> TD 3+4 (- AA BB </p>	<p> TD @ Company 3+4 @ Part Number (@ (CT)) - @ - DE AA @ Fiscal Year BB @ Manufacturing Code BB @ B or 2 Bee </p>
--	---

ORDERING INFORMATION

#A'E# INFORMATION

<p>TD3+4 (CD=3! -</p>	<div style="border: 1px solid black; padding: 5px;"> <p style="text-align: center;"> 福建天电光电有限公司 FUJIAN LIGHTNING OPTOELECTRONIC CO., LTD. </p> <p> Part No : XXXXXXXXXXXX Bin Code : X Lot No : XXXXXXXXXXXX Date Code : XXXX Q'ty : XXXX pcs </p> <div style="display: flex; justify-content: space-between; align-items: center;"> </div> </div>
------------------------------	---

PACKAGING INFORMATION

Option	E&antit<	E&antit< F Inner 1o?	E&antit< F O&ter 1o?



SOP4, DC Input Photo Transistor Coupler

OBJECT INFORMATION

OBJECT PROFILE

Profile Feature

Sn3P1 Assembly Profile

P13Free Assembly



SOP4, DC Input Photo Transistor Coupler

DISC#AIME)