

IGBT Modules

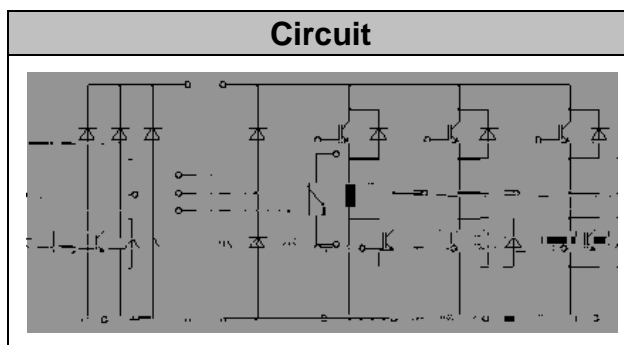
V_{CES} 1200V
I_C 15A

Applications

Motor Drivers
AC and DC servo drive amplifier
UPS (Uninterruptible Power Supplies)

Features

Low switching losses
Low $V_{ce(sat)}$ with positive temperature coefficient
Including fast & soft recovery anti-parallel FWD
Low inductance case
High short circuit capability(10us)
Isolated heatsink using DBC technology
Maximum junction temperature 175



IGBT- inverter

Absolute Maximum Ratings

Parameter	Symbol	Conditions	Value	Unit
Collector-Emitter Voltage	V_{CES}	$V_{GE}=0V, I_C=1mA, T_{vj}=25$	1200	V
Continuous Collector Current	I_C	$T_c=100, T_{vjmax}=175$	15	A
Repetitive Peak Collector Current	I_{CRM}	$tp=1ms$	30	A
Gate-Emitter Voltage	V_{GES}	$T_{vj}=25$	± 20	V
Total Power Dissipation	P_{tot}	$T_c=25$ $T_{vjmax}=175$	155	W



IGBT- inverter Characteristic values

Parameter	Symbol	Conditions	Value			Unit	
			Min.	Typ.	Max.		
Gate-emitter Threshold Voltage	$V_{GE(th)}$	$V_{GE}=V_{CE}, I_C =0.5mA, T_{vj}=25$	5.2	6.0	6.8	V	
Collector-Emitter Cut-off Current	I_{CES}	$V_{CE}=1200V, V_{GE}=0V, T_{vj}=25$			1.0	mA	
Collector-Emitter Saturation Voltage	$V_{CE(sat)}$	$I_C=15A, V_{GE}=15V, T_{vj}=25$		1.80	2.20	V	
		$I_C=15A, V_{GE}=15V, T_{vj}=125$		2.10			
		$I_C=15A, V_{GE}=15V, T_{vj}=150$		2.20			
Gate Charge	Q_G			0.15		uC	
Input Capacitance	C_{ies}	$V_{CE}=25V, V_{GE}=0V,$		1.1		nF	
Reverse Transfer Capacitance	C_{res}	$f=1MHz, T_{vj}=25$		0.04		nF	
Gate-Emitter leakage current	I_{GES}	$V_{CE}=0V, V_{GE}=20V, T_{vj}=25$			400	nA	
Turn-on Delay Time	$t_{d(on)}$	$I_C =15A$ $V_{CE} = 600V$ $V_{GE} = \pm 15V$ $R_G=39$ $T_{vj}=25$		90		ns	
Rise Time	t_r			64		ns	
Turn-off Delay Time	$t_{d(off)}$			180		ns	
Fall Time	t_f			135		ns	
Energy Dissipation During Turn-on Time	E_{on}			1.42		mJ	
Energy Dissipation During Turn-off Time	E_{off}			0.78		mJ	
Turn-on Delay Time	$t_{d(on)}$		$I_C =15A$ $V_{CE} = 600V$ $V_{GE} = \pm 15V$ $R_G=39$ $T_{vj}=125$		95		ns
Rise Time	t_r				70		ns
Turn-off Delay Time	$t_{d(off)}$				260		ns
Fall Time	t_f				180		ns
Energy Dissipation During Turn-on Time	E_{on}			1.85		mJ	
Energy Dissipation During Turn-off Time	E_{off}			1.13		mJ	
SC Data	I_{sc}	$T_p, 10\mu s, V_{GE}=15V, T_{vj}=150, V_{cc}=900V, V_{CEM} 1200V$			90		A



Diode-inverter Absolute Maximum Ratings

Parameter	Symbol	Conditions	Value	Unit
Repetitive Peak Reverse Voltage	V_{RRM}	$T_{vj}=25$	1200	V
Continuous DC Forward Current	I_F		15	A
Repetitive Peak Forward Current	I_{FRM}	$t_p=1ms$	30	A
I^2t -value	I^2t	$V_R=0, t_p=10ms, T_{vj}=125$	16.0	A^2s
		$V_R=0, t_p=10ms, T_{vj}=150$	14.0	

Characteristic values

Parameter	Symbol	Conditions	Value			Unit
			Min.	Typ.	Max.	
Forward Voltage	V_F	$I_F=15A, T_{vj}=25$		2.00	2.65	V
		$I_F=15A, T_{vj}=125$		2.10		
		$I_F=15A, T_{vj}=150$		2.10		
Recovered Charge	Q_{rr}	$I_F = 15A$		1.20		μC
Peak Reverse Recovery Current	I_{rr}	$V_R=600V$ $-di_F/dt = 600A/\mu s$		13.0		A
Reverse Recovery Energy	E_{rec}	$T_{vj}=25$		0.37		mJ
Recovered Charge	Q_{rr}	$I_F = 15 A$		2.05		μC
Peak Reverse Recovery Current	I_{rr}	$V_R=600V$ $-di_F/dt = 600A/\mu s$		12.0		A
Reverse Recovery Energy	E_{rec}	$T_{vj}=125$		0.68		mJ



IGBT-brake-chopper Absolute Maximum Ratings

Parameter	Symbol	Conditions	Value	Unit
Collector-Emitter Voltage	V_{CES}	$V_{GE}=0V, I_C=1mA, T_{vj}=25$	1200	V
Continuous Collector Current	I_C	$T_c=100, T_{vjmax}=175$	15	A
Repetitive Peak Collector Current	I_{CRM}	$tp=1ms$	30	A
Gate-Emitter Voltage	V_{GES}	$T_{vj}=25$	± 20	V
Total Power Dissipation	P_{tot}	$T_c=25, T_{vjmax}=175$	155	W

Characteristic values

Parameter	Symbol	Conditions	Value			Unit
			Min.	Typ.	Max.	
Gate-emitter Threshold Voltage	$V_{GE(th)}$	$V_{GE}=V_{CE}, I_C=0.5mA, T_{vj}=25$	5.2	6.0	6.8	V
Collector-Emitter Cut-off Current	I_{CES}	$V_{CE}=1200V, V_{GE}=0V, T_{vj}=25$			1.0	mA
Collector-Emitter Saturation Voltage	$V_{CE(sat)}$	$I_C=15A, V_{GE}=15V, T_{vj}=25$		1.85	2.25	V
		$I_C=15A, V_{GE}=15V, T_{vj}=125$		2.15		
		$I_C=15A, V_{GE}=15V, T_{vj}=150$		2.25		
Gate Charge	Q_G			0.09		uC
Input Capacitance	C_{ies}	$V_{CE}=25V, V_{GE}=0V,$		1.35		nF
Reverse Transfer Capacitance	C_{res}	$f=1MHz, T_{vj}=25$		0.08		nF
Gate-Emitter leakage current	I_{GES}	$V_{CE}=0V, V_{GE}=20V, T_{vj}=25$			400	nA
Turn-on Delay Time	$t_{d(on)}$	$I_C=15A$ $V_{CE}=600V$ $V_{GE}=\pm 15V$ $R_G=39$ $T_{vj}=25$		46		ns
Rise Time	t_r			45		ns
Turn-off Delay Time	$t_{d(off)}$			182		ns
Fall Time	t_f			168		ns
Energy Dissipation During Turn-on Time	E_{on}			0.92		mJ
Energy Dissipation During Turn-off Time	E_{off}			0.56		mJ



Diode-Rectifier Absolute Maximum Ratings

Parameter	Symbol	Conditions	Value	Unit
-----------	--------	------------	-------	------

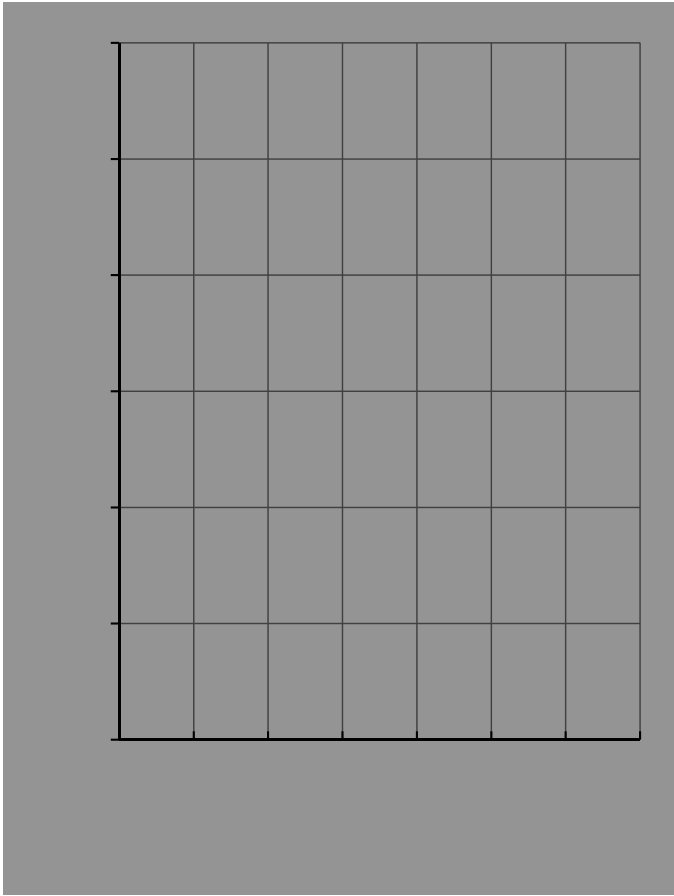
ppes]

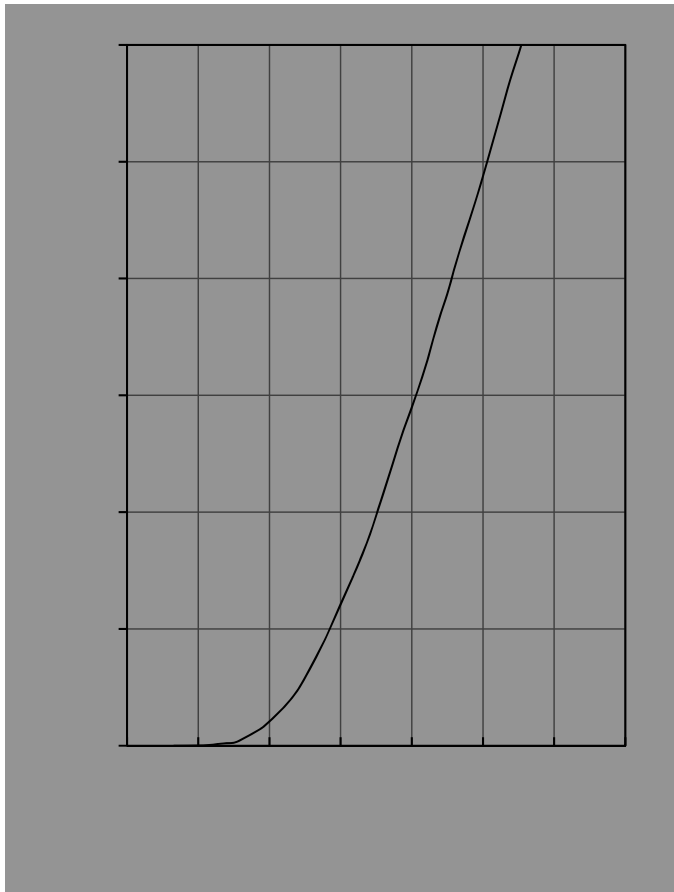
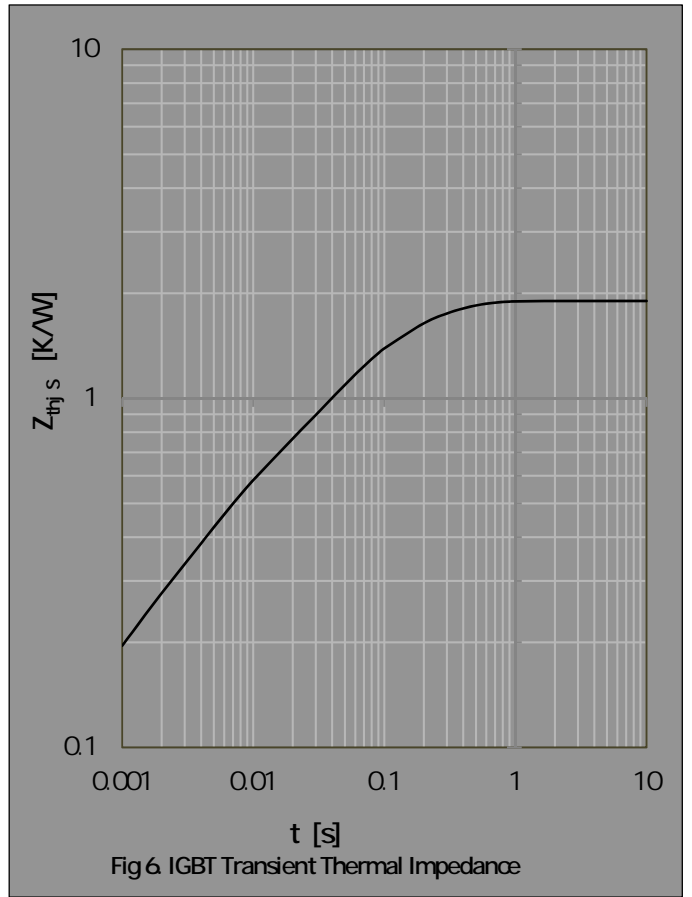
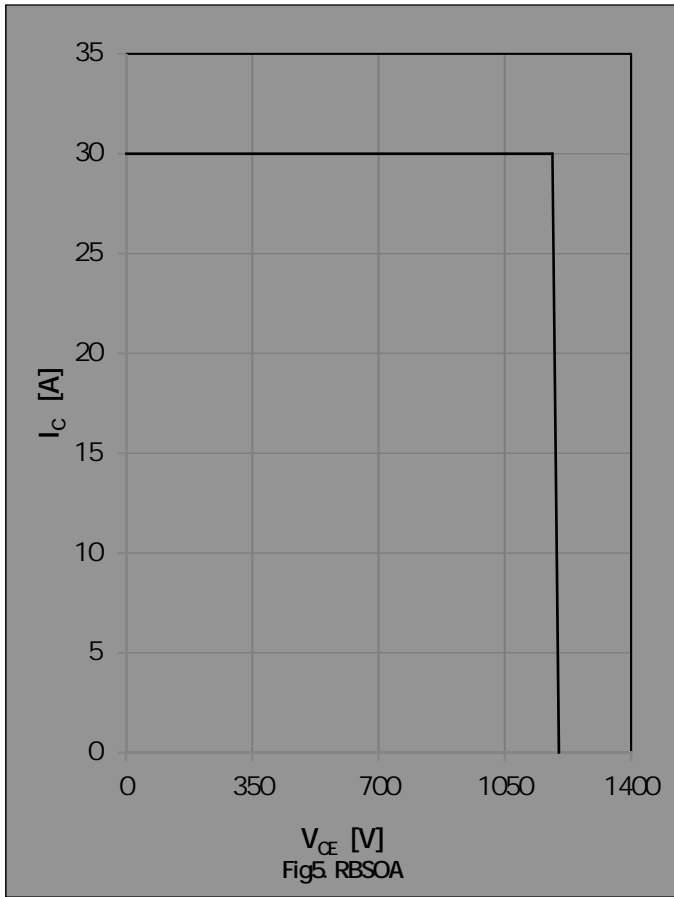
Repetitiv AE)	U	$T_j=25$		
----------------	---	----------	--	--



Module Characteristics $T_C=25^\circ\text{C}$ unless otherwise specified

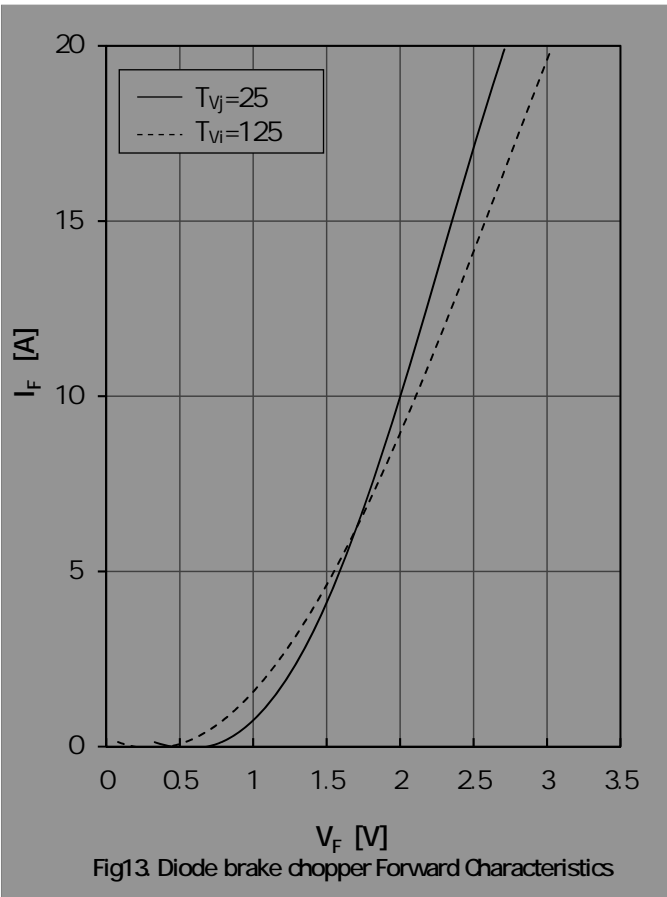
Parameter	Symbol	Conditions	Value			Unit
			Min.	Typ.	Max.	
Isolation voltage	V_{isol}	$t=1\text{min}, f=50\text{Hz}$	2500			V
Maximum Junction Temperature	T_{Jmax}				175	
Operating Junction Temperature	$T_{\text{vj op}}$		-40		150	
Storage Temperature	T_{stg}		-40		125	
Stray-inductance-module	L_{SCE}			30		nH
Module lead resistance, terminals-chip	$R_{\text{CC}+\text{EE}'}$	$T_C=25^\circ\text{C}$, per switch		8.00		m
	$R_{\text{AA}+\text{CC}'}$			6.00		
Thermal Resistance Junction-to Case	R_{JC}	per IGBT-inverter		0.95	1.05	K/W
		per Diode-inverter		1.30	1.45	
		per IGBT-brake-copper		0.95	1.05	
		per Diode-chopper		1.75	1.90	
		per Diode-rectifier		1.03	1.13	
Thermal Resistance Case-to Sink	R_{CS}	per IGBT-inverter		0.95		K/W
		per Diode-inverter		1.05		
		per IGBT-brake-copper		0.95		
		per Diode-chopper		1.30		
		per Diode-rectifier		1.17		
		per Module		0.058		
Mounting Force Per Clamp	F		20		50	N
Weight of Module	G			25		g





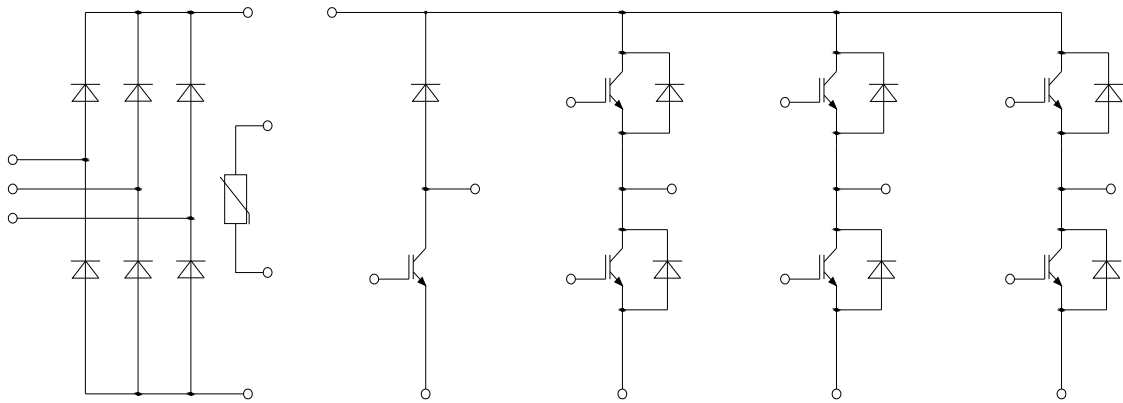


MG15P12P2





Circuit Diagram



Package Dimensions

