



GFMK3045

Schottky Bypass Diode Module

Features

High frequency operation
Low forward voltage drop
High purity, high temperature epoxy encapsulation for enhanced mechanical strength and moisture resistance
Guard ring for enhanced ruggedness and long term reliability

Typical Applications

Photovoltaic solar cell protection schottky rectifier

Mechanical Data

Package: GF025

Molding compound meets UL 94 V-0 flammability rating,

Terminals: Tin plated leads, solderable per J-STD-002 and JESD 22-B102

Polarity: As marked

Maximum Ratings ($T_a=25$ Unless otherwise specified)

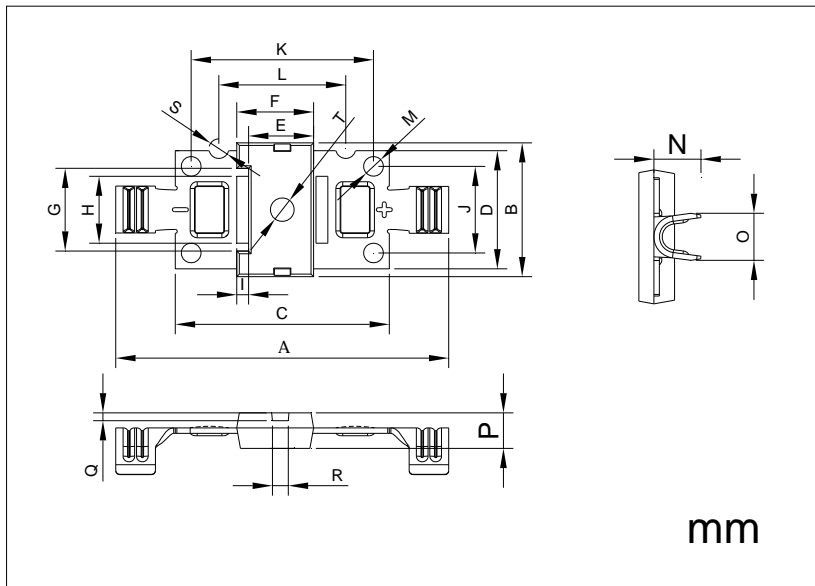
PARAMETER	SYMBOL	UNIT	GFMK3045
Device marking code			GFMK3045
Repetitive Peak Reverse Voltage	VRRM	V	45
Average Rectified Output Current @60Hz sine wave, R-load, $T_a=25$	IO	A	30

Surge(Non-re



GFMK3045

Outline Dimensions (in millimeters)



DIM	MM		NOTE
	MIN	MAX	
A	41.5	42.5	
B	16.5	17.5	
C	26.5	27.5	
D	14.5	15.5	
E	7.9	8.5	
F	9.4	10	
G	10.50REF		
H	8.2	8.8	
I	1.2	1.8	
J	10.7	11.3	
K	22.7	23.3	
L	15.7	16.3	
M	2.35	2.65	
N	5.65	6.25	
O	5.72	6.22	
P	4.4	4.6	
Q	0.7	1.3	
R	1.7	2.3	
S	2.3	2.7	
T	2.7	3.3	



GFMK3045

Disclaimer

The information presented in this document is for reference only. Yangzhou Yangjie Electronic Technology Co., Ltd. reserves the right to make changes without notice for the specification of the products displayed herein to improve reliability, function or design or otherwise.

The product listed herein is designed to be used with ordinary electronic equipment or devices, and not designed to be used with equipment or devices which require high level of reliability and the malfunction of product is not guaranteed.