

DK5V60R25H

A K

PN

60V

NMOS

- USB
- 
- LED

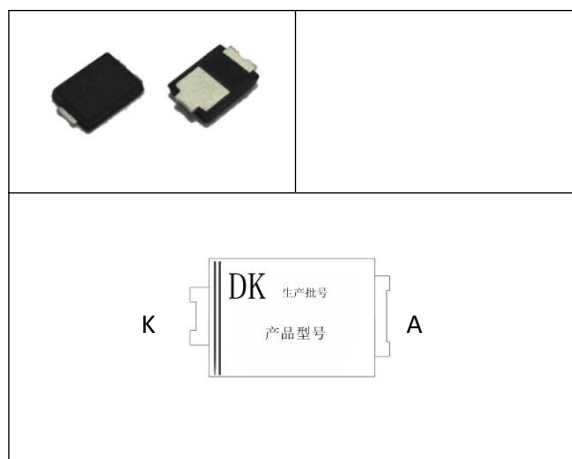
DK5V60R25H

SM-7

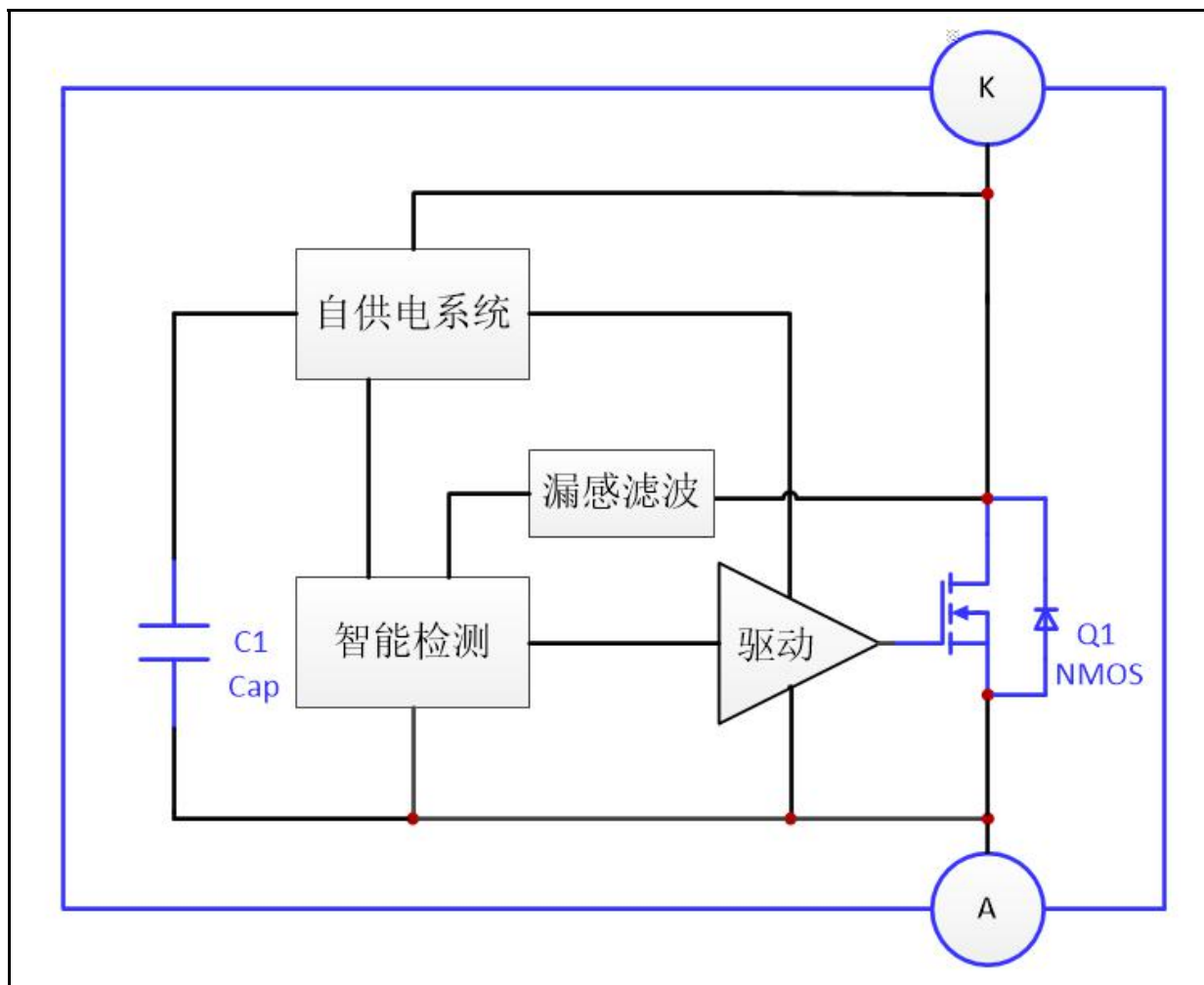
( TO-277

)

- PSR SSR
- $V_F$
- 
- 60V 25mΩ NMOS
- CCM DCM&QR
- 
- 
- EMC
- 



1	K	
2	A	

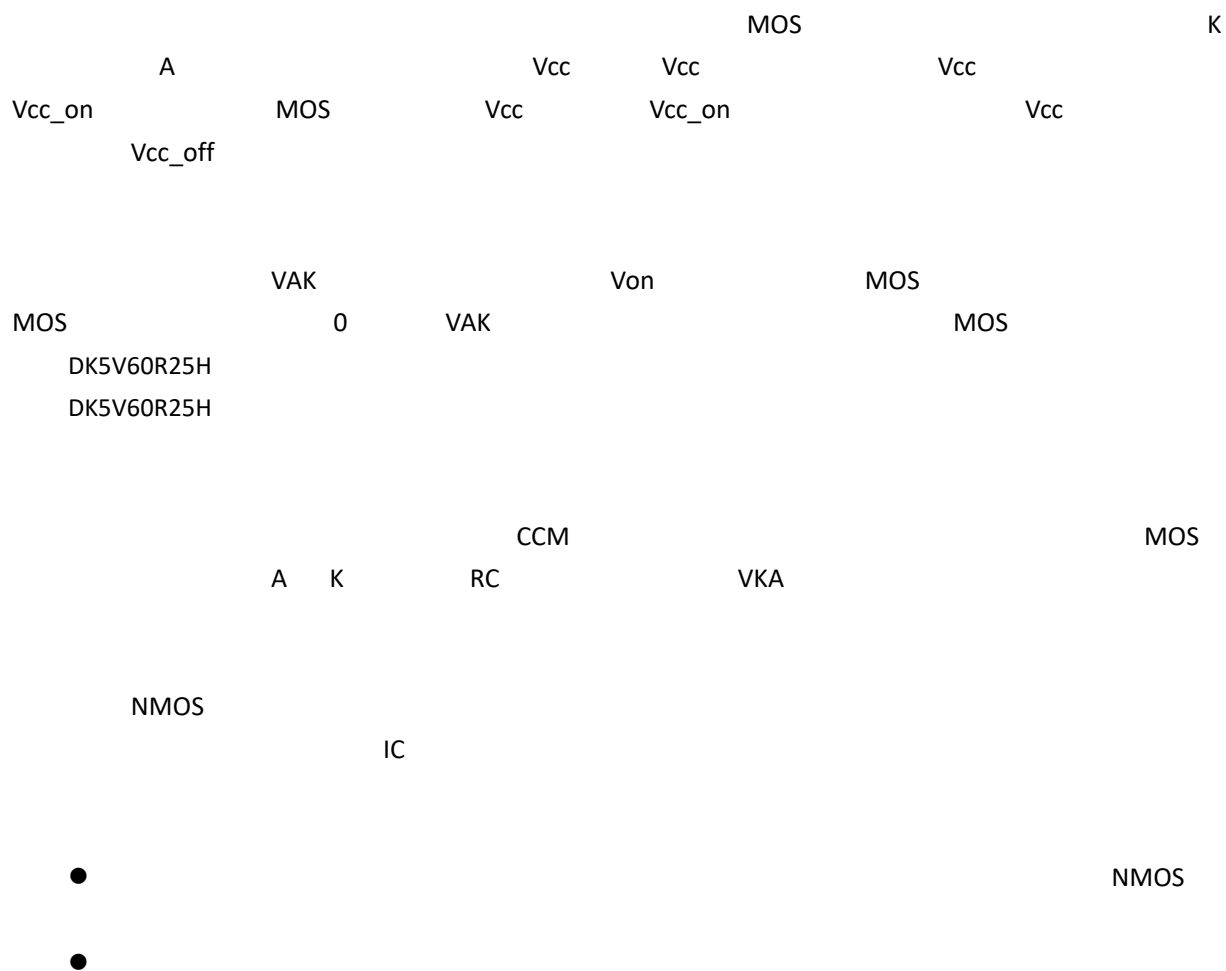


NMOS	$V_{(BR)DSS}$	60			V
NMOS	$I_{DSCDC}$			35	A
NMOS	$I_{DSPDC}$			50	A
SM7	$P_{DMAX}$		1		W
	$R\theta_{JA}$		76		/W
	$R\theta_{JC}$		4		/W
	$T_{STG}$	-55		155	
	$T_J$	-40		150	
			260/5S		
ESD(HBM)		4000			
ESD(MM)		350			

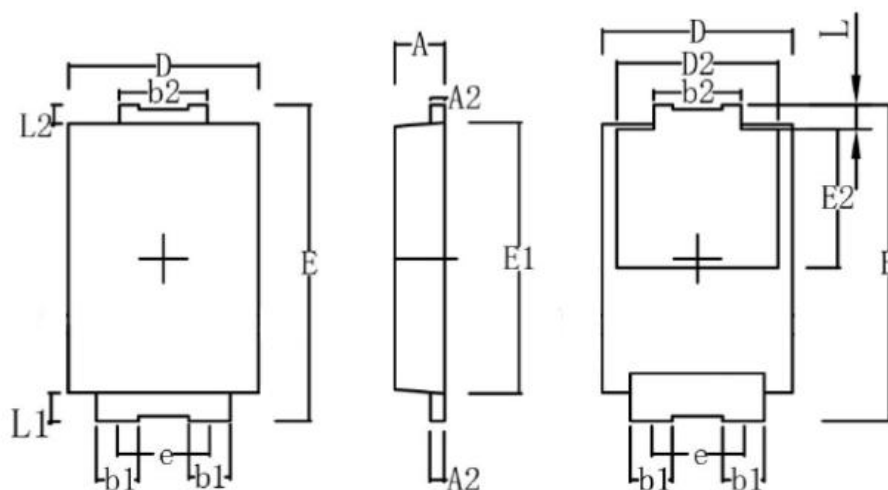
 $T_A = 25$ 

	$V_{CC\_ON}$			5		V
	$V_{CC\_OFF}$			3.5		V
	$V_{OVP}$			7.6		V
NMOS	$V_{ON}$			-220		mV
NMOS	$T_{DON}$				150	ns
NMOS	$T_{DOFF}$				50	ns
NMOS	$T_{ON\_MIN}$			200		ns
NMOS	$T_{OFF\_MIN}$			500		ns
	$F_{S\_MAX}$				250	KHz
NMOS	$R_{DS\_ON}$				25	m $\Omega$

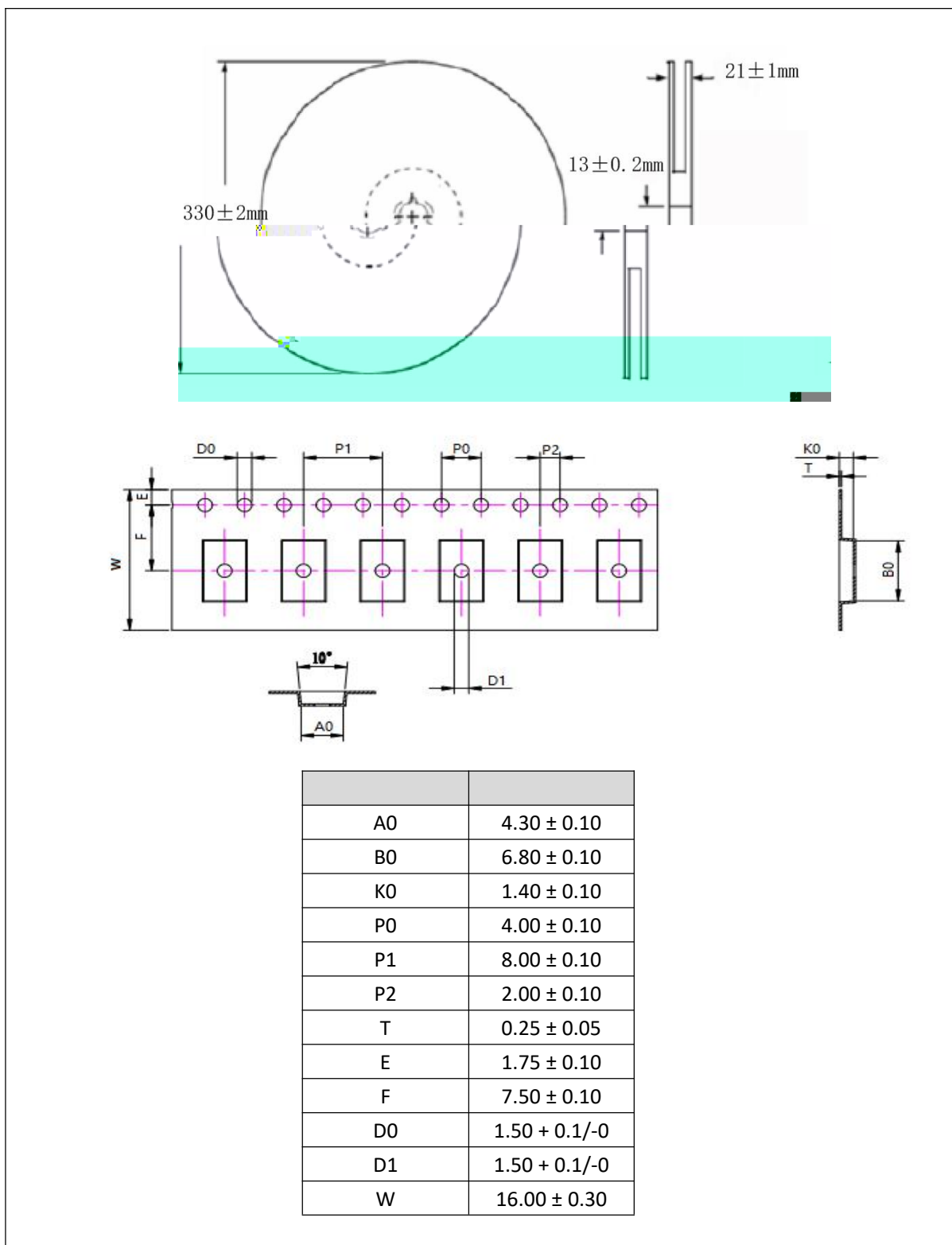
DK5V60R25H

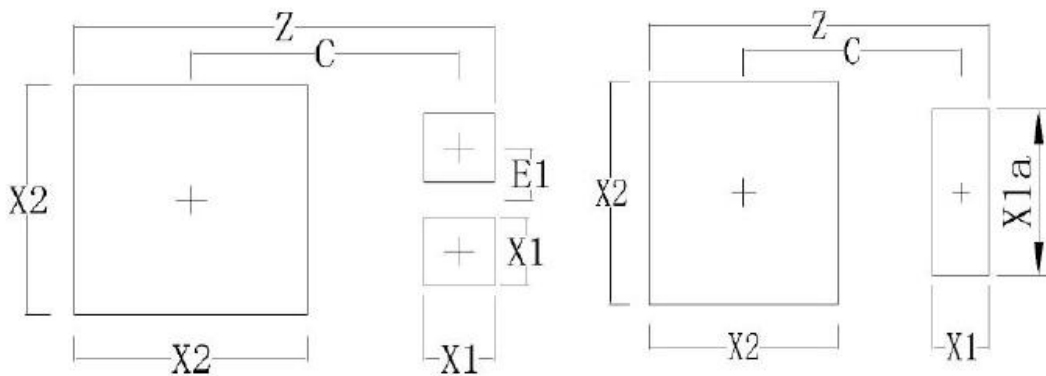






A	1.20	1.40
A2	0.25	0.35
b1	0.80	1.00
b2	1.80	2.00
D	4.00	4.30
D2	3.20 NOM	
E	6.40	6.60
e	1.80 NOM	
E1	5.50	5.80
E2	2.50 NOM	
L	0.80	1.00
L1	0.30	0.50
L2	0.30	0.50





C	4.6
E1	0.9
X1	1.2
X2	4.0
Z	7.2
X1a	3.0



