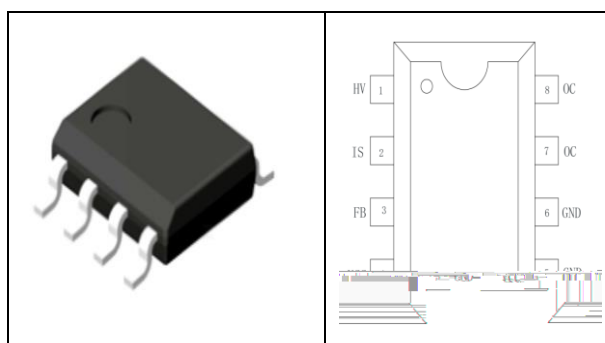
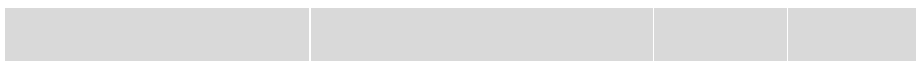


-
-
-
-
-

-
-
-

-
-
-





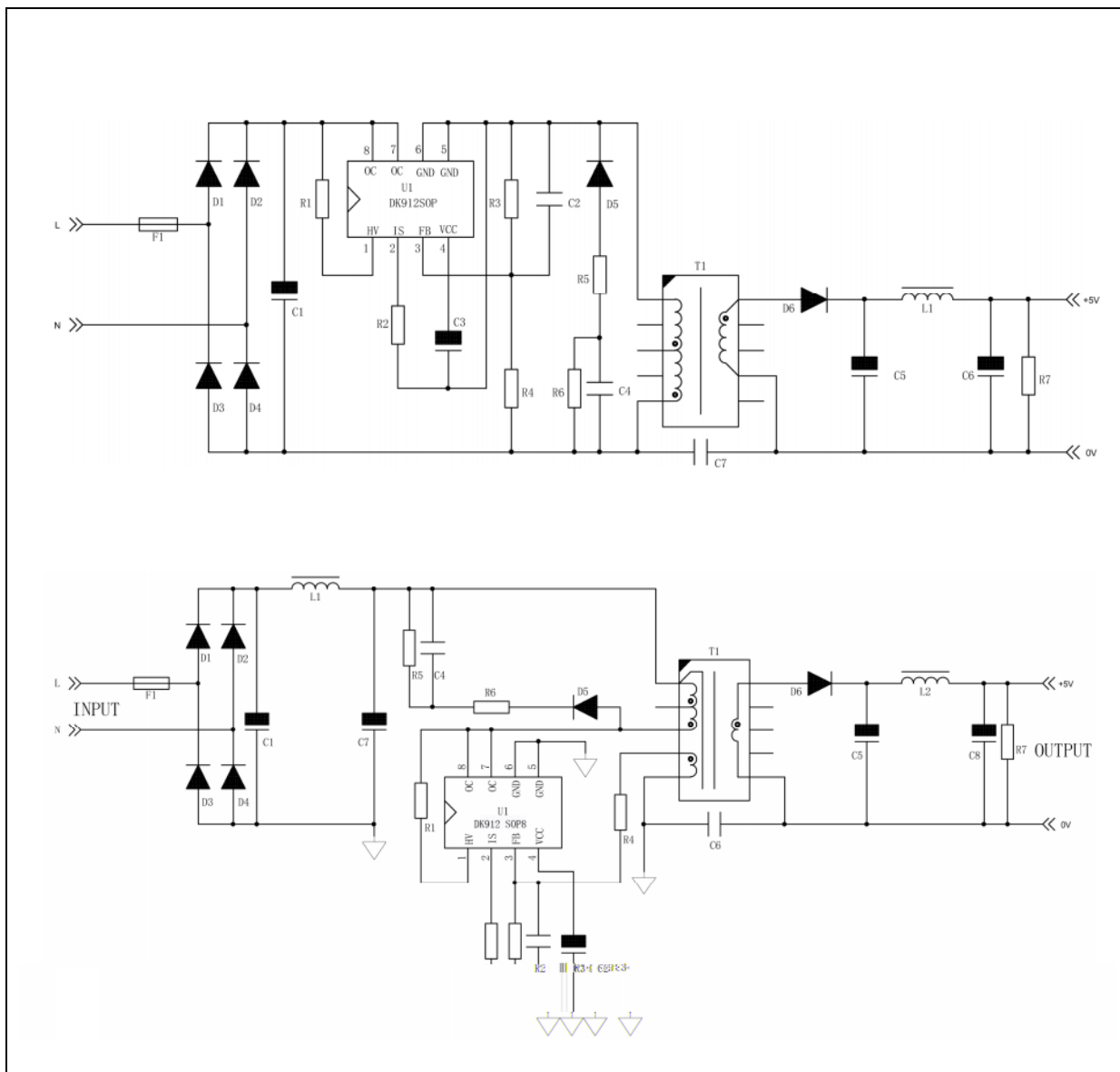
$$V_{OUT} \approx \frac{V_{OR} * R_2 - V_d}{N * K_1}$$

$$Po_{max} \approx \frac{1}{4} * I_{p_{max}} * N * V_{out}$$

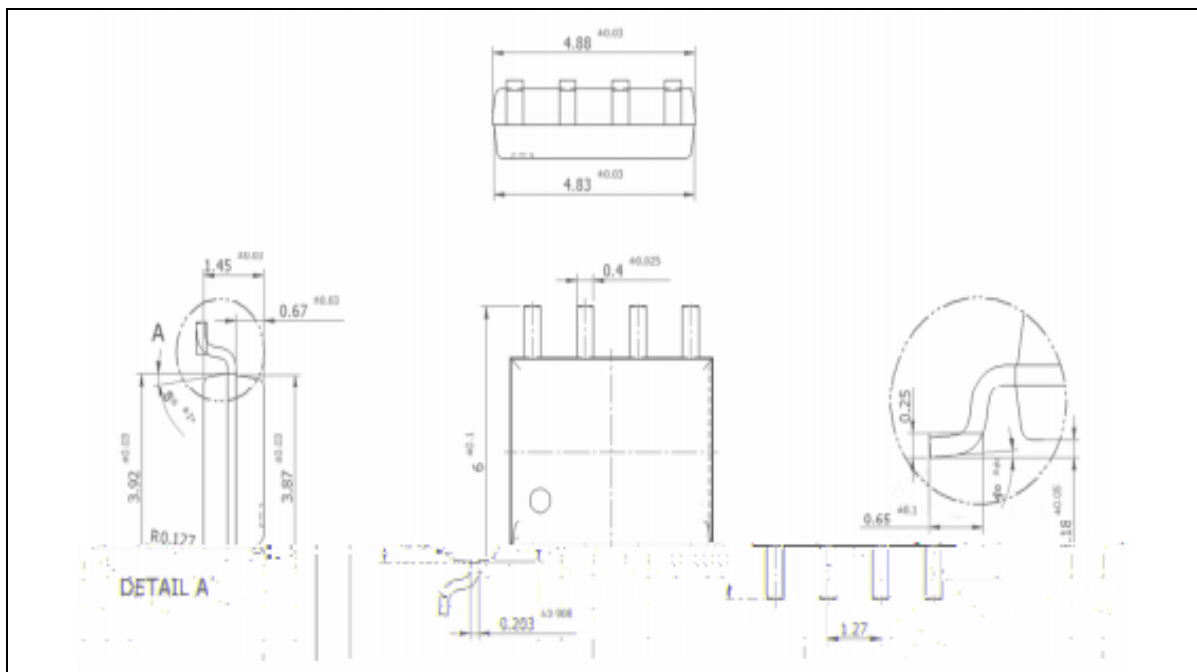
$$f_{s_{max}} = \frac{N * V_{out}}{2 * L_p * I_{p_{max}}}$$

$$L_{p_{min}} = \frac{N * V_{out}}{2 * f_{s_{max}} * I_{p_{max}}}$$

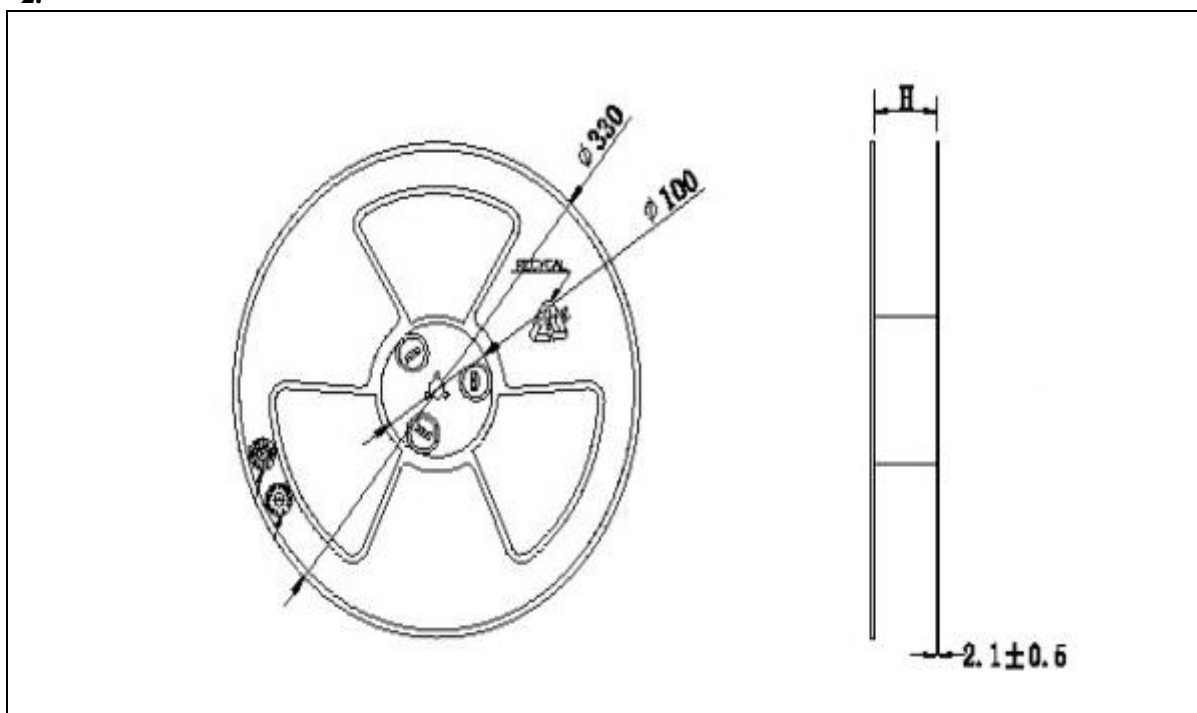
$$f_{s \max} = \frac{N * V_{out}}{2 * L_p * I_{p \max}}$$



1.



2.



▼
▼
▼
▼
▼
▼
▼